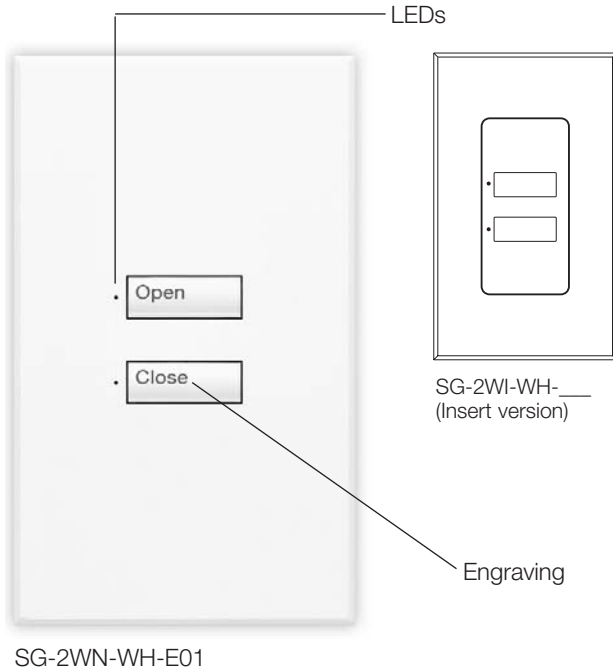


Color and Engraving Codes

SG-2WN-___ - ___
2-Button Window Treatment
Wallstation



Description

- Used to control one or more window treatment zones simultaneously on GRAFIK Eye 3000 and 4000 Series Control Units.
- Can control Sivoia QED™ and AC Motorized Window Treatments.
- Large, rounded buttons are easy to use.
- Backlit buttons with on-button engraving make it easy to find and operate the control in low light conditions.
- Optional button engraving is angled up to the eye for easy reading.
- Pressing the Open button once will cause the window treatments move to their fully open position. If the Open button is pressed again while the window treatments are opening, the movement of the window treatments will stop.
- Pressing the Close button once will cause the window treatments move to their fully closed position. If the Close button is pressed again while the window treatments are closing, the movement of the window treatments will stop.
- The LEDs next to each button are used during programming and provide feedback when the buttons are pressed. For Sivoia QED, the LEDs provide feedback of the current Sivoia QED preset.
- Works with GRAFIK Eye 3000 and 4000 Series Control Units. Can be set to control up to 8 groups of Sivoia QED Window Treatments.
- For each group of Sivoia QED Window Treatments, a GRAFIK Eye Sivoia QED Controller is needed.

Finish and Engraving Options

- Available with button engraving.
- Standard and Non-Standard Text Engraving is available. For more details, please visit the seeTouch website at www.lutron.com/seeTouch.

Job Name:	Model Numbers:
Job Number:	

Specifications

Power

Low-voltage type Class 2 (PELV). Operating voltage: 12/24VDC.

Key Design Features

- Field-changeable button and faceplate assemblies allow easy customization.
- Front accessible DIP switches allow change of address without removing the unit from the wall.
- Meets IEC 801-2. Tested to withstand 15kV electro-static discharge without damage or memory loss.
- Faceplate snaps on with no visible means of attachment.
- Available as an “insert” style control for multi-gangging.
- Can be ganged to share a common faceplate with NovaT*® and Vareo® Dimmers. To order new Wallplates for multi-gangging, specify “R3” openings in a Lutron NovaT* multi-gang FB (fins broken) Series model number.
- Use Button Replacement Kits to change color, button configuration, or engraving.
- Button Replacement Kits may also be used to convert between non-insert and insert configurations.

System Communications and Capacity

- Low-voltage type Class 2 (PELV) wiring connects Wallstations to Control Units and other components.
- Up to 8 Control Units and 16 total Wallstations and/or Control Interfaces may be connected for a total of 24 control points.

Terminals

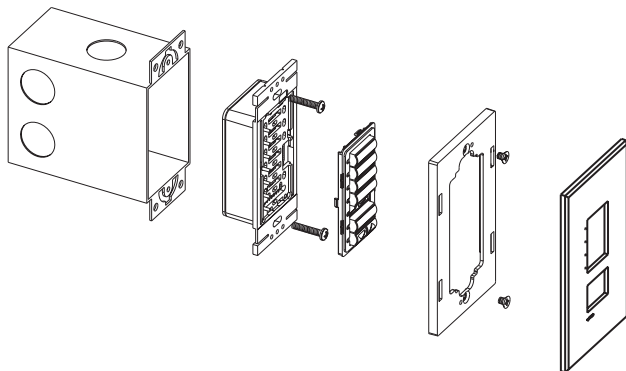
Accept up to two #18 AWG (1.0mm²) typical.

Environment

32-104°F (0-40°C). Relative humidity less than 90% non-condensing.

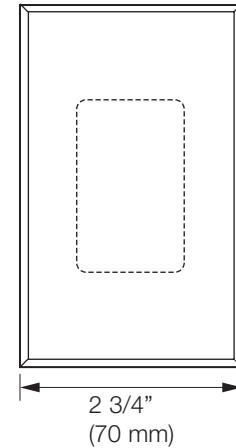
Mounting

Typical backbox dimensions: 95mm (3.74”) high, 55mm (2.17”) wide, 70mm (2.75”) deep.

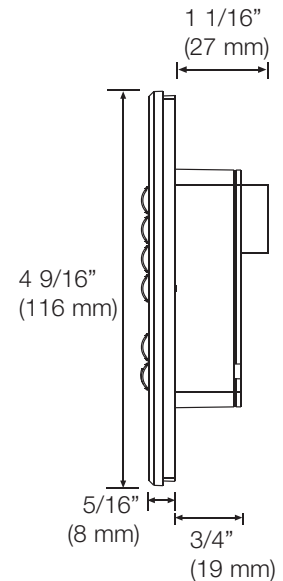


Dimensions

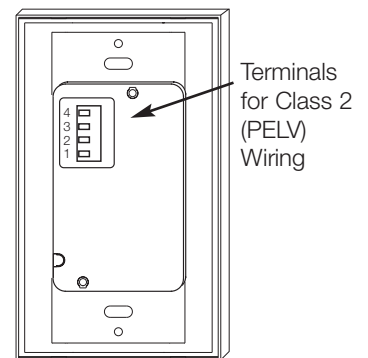
Front View



Side View



Back View



Job Name:	Model Numbers:
Job Number:	

Color/Finish and Customizing Information

Color/Finish

Matte Finishes

White	WH
Ivory	IV*
Beige	BE
Gray	GR*
Brown	BR
Black	BL

* GR, IV not currently backlighted

Metal Finishes

With Black Plastic Buttons (Standard)

Bright Brass	BB
Bright Chrome	BC
Bright Nickel	BN
Satin Brass	SB
Satin Chrome	SC
Satin Nickel	SN
Antique Brass	QB
Antique Bronze	QZ

Gloss Finishes

Available with Insert (I) style controls only.
Ship with Claro® faceplates.

White	GWH
Light Almond	GLA

Anodized Aluminum Finishes

Clear	CLA
Black	BLA
Brass	BRA

Backlighting Notes:

Illuminated text (translucent text on buttons) is available for these colors: BL and BR (including all metal finishes).

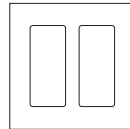
Illuminated buttons (with black text on buttons) are available for these colors: WH, BE, GR, WH*, GLA*.

* Insert (I) style controls only

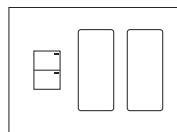
Multi-gangging

- Order Insert (I) style controls.
- To order new Wallplates for multi-gangging, specify "R3" openings in a Lutron NovaT® multi-gang FB (fins broken) Series model number.

Examples:



Wallplate for 2 seeTouch Wallstations, Model # NT-R3-R3-FB-(color)



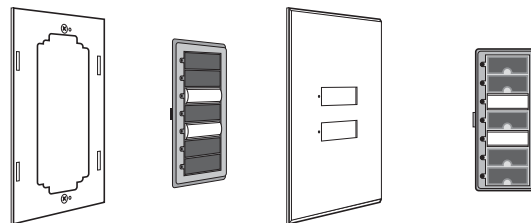
Wallplate for other Lutron controls and 2 seeTouch Wallstations, Model # NT-T8-R3-R3-FB-(color)

Note: New button inserts are not included with multi-gangging Wallplates.

Button Replacement Kits

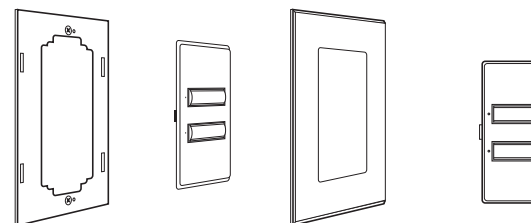
Use Button Replacement Kits to change: colors, button configuration, engraving, between insert and non-insert versions.

Non-Insert Kit



Each Kit includes an adapter, button assembly, and wallplate

Insert Kit



Job Name:	Model Numbers:
Job Number:	

Wallstation Installation

DIP Switches

- Set DIP switches 1-4 to give the Wallstation a unique system address from 1 to 16.
- DIP Switches 5 -10 are set at the factory. Do not change switches 5 - 9.
- DIP switch 10 controls the button backlight.
- Refer to Installation Guide for more details.

Address	DIP Switch Settings			
	1	2	3	4
1	↑	↑	↑	↑
2	↑	↑	↑	↓
3	↑	↑	↓	↑
4	↑	↑	↓	↓
5	↑	↓	↑	↑
6	↑	↓	↑	↓
7	↑	↓	↓	↑
8	↑	↓	↓	↓
9	↓	↑	↑	↑
10	↓	↑	↑	↓
11	↓	↑	↓	↑
12	↓	↑	↓	↓
13	↓	↓	↑	↑
14	↓	↓	↑	↓
15	↓	↓	↓	↑
16	↓	↓	↓	↓

Reserved for GRX-PRG, if present on link.

Low-voltage Class 2 (PELV) Wiring

- Use low-voltage Class 2 (PELV) wiring to daisy-chain Wallstations to Control Units and other components.
- Make connections inside the wallbox or in a switch/junction box with a maximum wire length of 8 feet (2.5m) from the link to the Wallstation.

When used with GRAFIK Eye 3000 Control Units

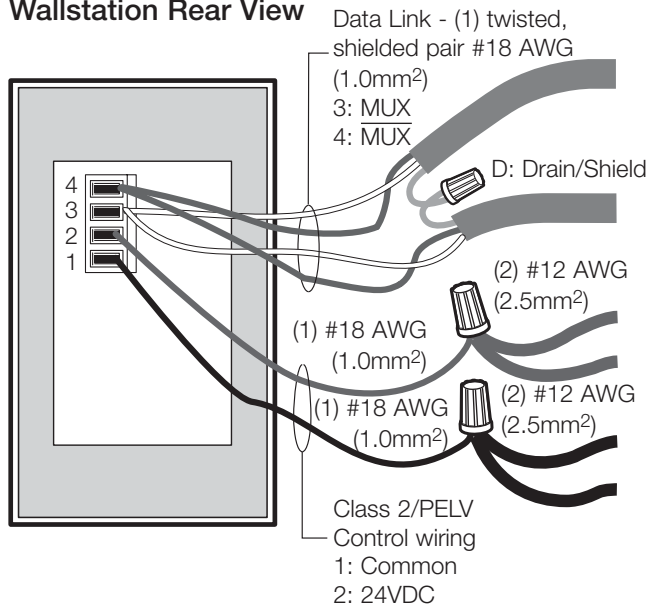
- Two #18 AWG (1.0mm²) conductors for common (terminal 1) and 12VDC (terminal 2). Ensure that the terminal 2 connection is wired correctly. Refer to GRAFIK Eye 3000 Series Specification Submittal.
- One shielded, twisted pair #18 AWG (1.0mm²) for data link (terminals 3 and 4).

When used with GRAFIK Eye 4000 Control Units

- Two #12 AWG (2.5mm²) conductors for common (terminal 1) and 24VDC (terminal 2). These won't fit in terminals. Connect as shown.
- One shielded, twisted pair #18 AWG (1.0mm²) for data link (terminals 3 and 4).
- Connect Drain/Shield as shown. Do not connect to Ground (Earth) or Wallstation. Connect the bare drain wires and cut off the outside shield.

Note: Use appropriate wire connecting devices as specified by local codes.

Wallstation Rear View



Job Name:	Model Numbers:
Job Number:	