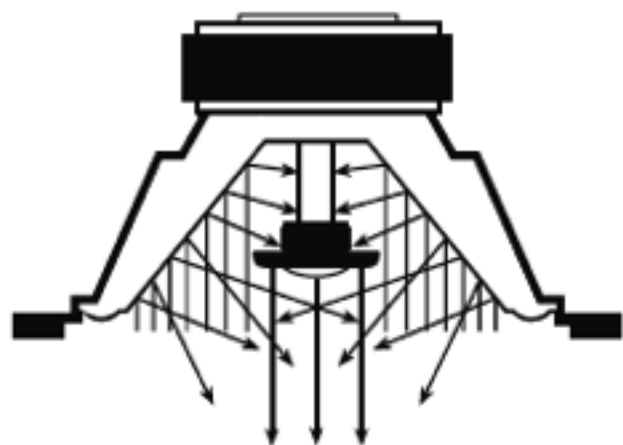
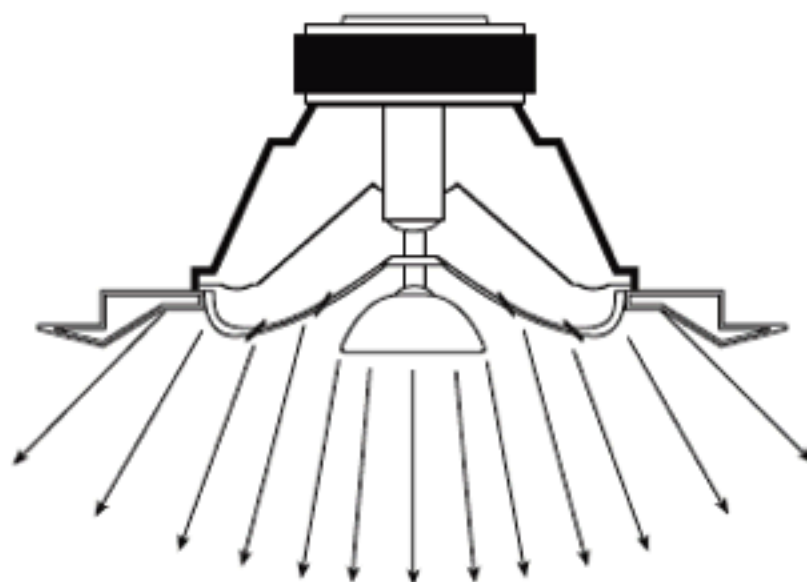


## WavePlane™ TECHNOLOGY

Ordinary Speakers



AIM With WavePlane



Only SpeakerCraft offers the exclusive WavePlane™ tweeter baffle which is located just behind the tweeter of all AIM in-ceiling speakers. The WavePlane™ creates better high frequency dispersion. This is accomplished by allowing the tweeter to reflect off a solid surface instead of the vibrating woofer. Ordinary speakers only sound their best when you are directly underneath them. This is because high frequencies are directional. The WavePlane™ assures optimal high frequency dispersion throughout the listening area.

