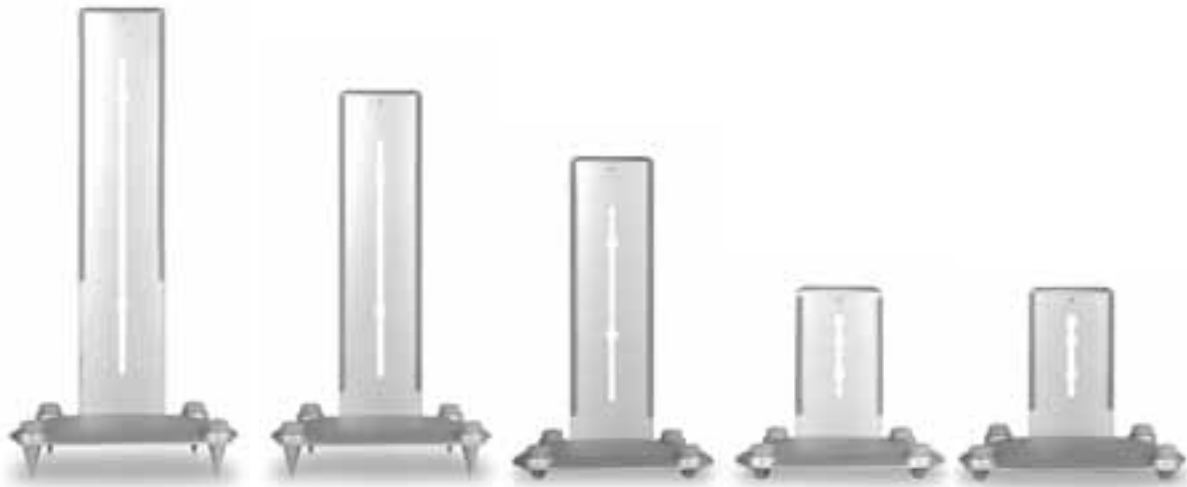




TANTRA



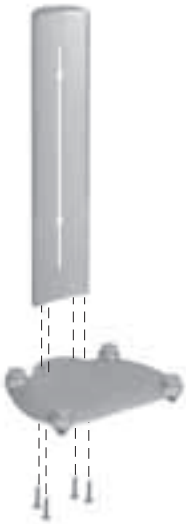
Your Tantra Stands contain the following hardware:

- Base and Arm assembly screws (4 each)
- Screw Knob for vertical installation (2 each)
- Adapter for horizontal installation (1 each)
- Screw Knob for horizontal installation (1 each)
- Spike Feet - Tantra stand Three and Four only (4 each)
- Spike Feet Covers - Tantra stand Three and Four only (4 each)

INSTALLATION INSTRUCTIONS

Vertical Orientation

Base & Arm Assembly
Tantra Stand One – Four

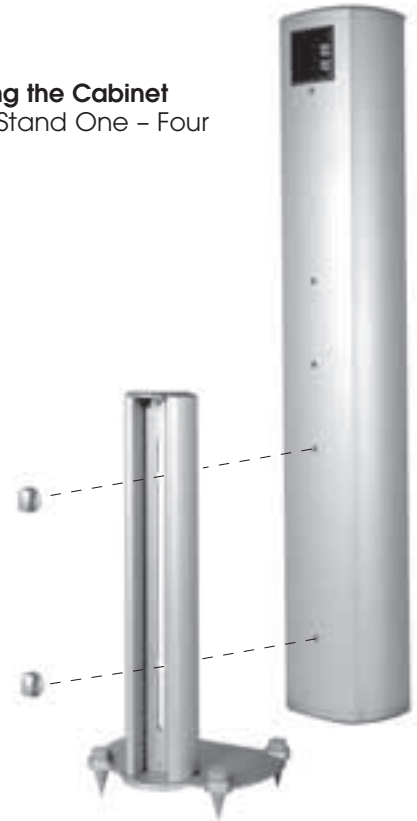


Installing the Spikes
Tantra Stand Three & Four



To install the spikes you must first remove the rubber feet. They can easily be removed by unscrewing them with your fingers.

Installing the Cabinet
Tantra Stand One – Four



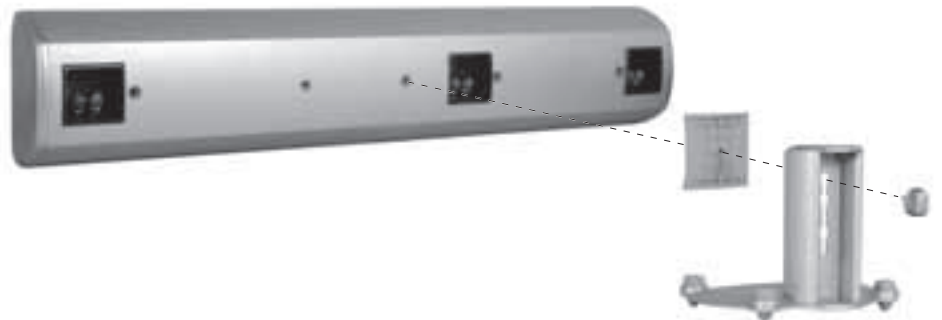
Horizontal Orientation

When using the Tantra One – Four speakers as center channels we recommend using the Tantra One stand only. When using the Tantra Triple LCR speaker on a table top, please order the unique Tantra Triple LCR stand. (Black - TS010055BK or Silver - TS010055S)

Base & Arm Assembly



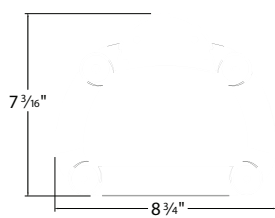
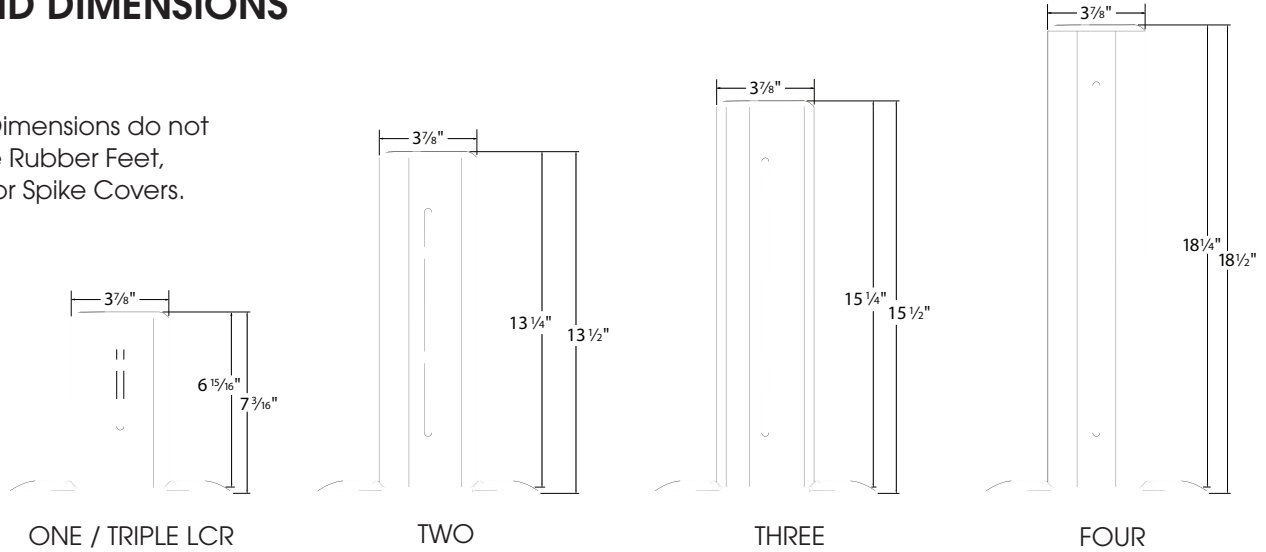
Horizontal Install



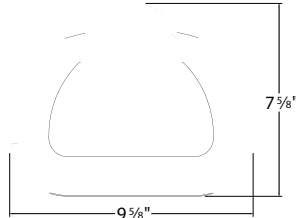
NOTE: Metal spikes and spike covers are not included with the Tantra One, Tantra Two and Tantra Triple LCR stands as they were designed for table top use only.

STAND DIMENSIONS

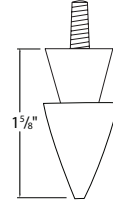
Note: Dimensions do not include Rubber Feet, Spikes or Spike Covers.



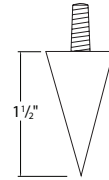
BASE ONE & TWO



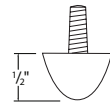
BASE THREE, FOUR & TRIPLE LCR



SPIKE COVER



SPIKE



RUBBER FEET

SPEAKER POSITION

Highest Recommended Position



Tantra Four	2 3/4"
Tantra Three	2 3/4"
Tantra Two	2 3/4"
Tantra One	1"



Tantra Triple LCR 1 3/8"

Lowest Recommended Position



Tantra Four	1"
Tantra Three	1"
Tantra Two	1"
Tantra One	1"

LIMITED LIFETIME WARRANTY

Tantra Audio warrants to the original retail purchaser only that this Tantra Audio product will be free from defects in materials and workmanship, provided the speaker was purchased from a Tantra Audio Authorized Dealer.

Defective products must be shipped, together with proof of purchase, prepaid insured to the Tantra Audio Authorized Dealer from whom they were purchased, or to the Tantra Audio factory at the address listed on this installation instruction manual. Freight collect shipments will be refused. It is preferable to ship this product in the original shipping container to lessen the chance of transit damage. In any case, the risk of loss or damage in transit is to be borne by the purchaser. If, upon examination at the Factory or Tantra Audio Authorized Dealer, it is determined that the unit was defective in materials or workmanship at any time during this warranty period, Tantra Audio or the Tantra Audio Authorized Dealer will, at its option, repair or replace this product at no additional charge, except as set forth below. If this model is no longer available and can not be repaired effectively, Tantra Audio, at its sole option, may replace the unit with a current model of equal or greater value. In some cases where a new model is substituted, a modification to the mounting surface may be required. If mounting surface modification is required, Tantra Audio assumes no responsibility or liability for such modification.

All replaced parts and product become the property of Tantra Audio. Products replaced or repaired under this Warranty will be returned to the original retail

purchaser, within a reasonable time, freight prepaid. This Warranty does not include service or parts to repair damage caused by accident, disaster, misuse, abuse, negligence, inadequate packing or shipping procedures, commercial use, voltage inputs in excess of the rated maximum of the unit, or service, repair or modification of the product which has not been authorized or approved by Tantra Audio. This Warranty also excludes normal cosmetic deterioration caused by environmental conditions. This warranty will be void if the Serial Number on the product has been removed, tampered with or defaced.

This Warranty is in lieu of all other expressed warranties. If the product is defective in materials or workmanship as warranted above, the purchaser's sole remedy shall be repair or replacement as provided above. In no event will Tantra Audio be liable for any incidental or consequential damages arising out of the use or inability to use the product, even if Tantra Audio or a Tantra Audio Authorized Dealer has been advised of the possibility of such damages, or for any claim by any other party. Some states do not allow the exclusion or limitation of consequential damages, so the above limitation and exclusion may not apply. All implied warranties on the product are limited to the duration of this expressed Warranty. Some states do not allow limitation on the length of an implied warranty. If the original retail purchaser resides in such a state, this limitation does not apply.

