



TANTRA



# INTRODUCTION

Congratulations on your purchase of Tantra Series speakers. Tantra Audio guarantees that you will enjoy your maintenance free Tantra Series speakers for many years to come. However, to be sure you optimize their performance please read this manual carefully.

## SPEAKER PLACEMENT

The Tantra Series speakers can be used for front or rear left and right, as well as a center channel, in a home theater speaker system.

When using the Tantra Series for front left and right speakers, the cabinets should be positioned vertically along the screen with the tweeters pointed towards the listener. **(Diagram 1)**

### Using as a Center Channel Speaker

As a center channel, the Tantra Series (including the Tantra Triple LCR) should be placed under the screen and the tweeter should be directed toward the listener. **(Diagram 1)**

**DIAGRAM 1:**  
Speaker Placement



### Placement on Wall or Stand

When placing your speakers on a wall, table top stand or floor stand optimal sound will be achieved if the tweeter is placed close to ear level.

The table stand was designed to allow your Tantra Series speakers to be mounted in either vertical or horizontal orientation.

The Floor stand was designed for vertical orientation only. Mounting instructions for Tantra stands can be found in the Tantra Stands Owner's Manual.

**NOTE: Stands are sold separately.**

## Vertical vs Horizontal Mounting

Tantra Series Speakers come with a unique wall bracket that will allow you to mount them in either horizontal **(Diagram 2)** or vertical **(Diagram 3)** orientation.



**DIAGRAM 2:**  
Horizontal Mounting



**DIAGRAM 3:**  
Vertical Mounting

## WIRING THE TANTRA ON-WALL SERIES

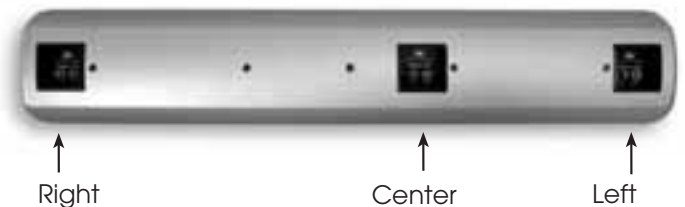
**NOTE: All the connections should be made with the equipment switched off.** The speaker terminals are located on the rear of the cabinet. **(Diagram 4)** Attach the speaker cable to the speaker terminals, observing the proper polarity with your amplifier, + to + and - to -. Make sure to connect the speaker outputs from your amplifier to the correct speaker.

**DIAGRAM 4:**  
Speaker Terminal



The Tantra Triple LCR provides a left, center and right channel in one cabinet. Be sure to connect the left, center and right channels to the left, center and right channel inputs of your Home Theater receiver. **(Diagram 5)**

**DIAGRAM 5:**  
LCR Speaker Terminals



## MOUNTING THE WALL BRACKET

The Tantra On-Walls utilizes a unique mounting system. The Wall Bracket is mounted onto a stud in the wall. Then, the Tantra Series Speaker simply slips onto the Wall Bracket, securing the cabinet to the wall. Refer to **Diagram 6** and follow steps 1–3.

1. Locate the stud using a good, quality stud finder.
2. Using good, strong mounting screws, mount the bracket to the stud. Be sure the main channels are in the position shown in **Diagram 7**.

**Note: When mounting the Wall Bracket, we recommend using a level.**

**DIAGRAM 7:**  
Channel Position



Vertical Orientation



Horizontal Orientation

3. If a stud is not found in the desired mounting location, the speakers can be mounted directly onto the drywall. **CAUTION: Regular drywall screws should NOT be used for this application.** We HIGHLY recommend using anchors specifically designed to withstand a minimum of 25 lbs.

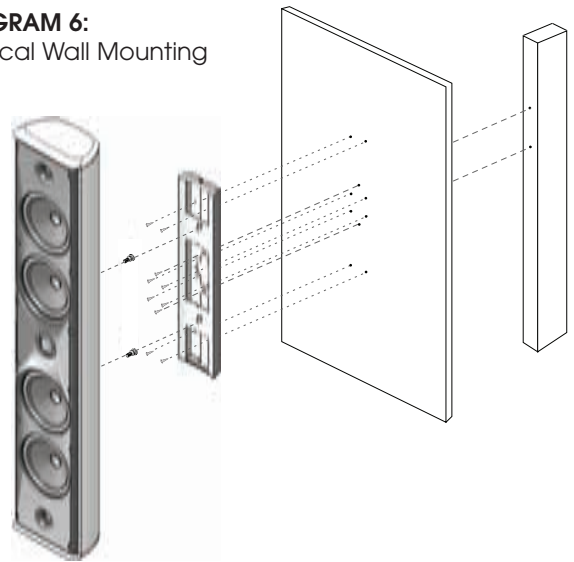
**For horizontal mounting refer to Diagram 8 and follow steps 1-3 above.**

## Mounting the Cabinet

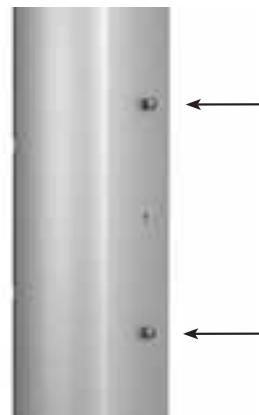
Now that the wall bracket is secured to the wall you are ready to mount your speaker.

1. Attach the cabinet screws to the rear of the cabinet. These screws are included with the packaging. (**Diagram 9**)
2. Fish the speaker wire through the mounting bracket (**Diagram 10**) and connect it to the speaker terminals. Refer to the wiring section of the manual for connection instructions.
3. Align the cabinet against the wall bracket's two main channels. Push in the cabinet with both hands and slide it down so that it locks into place as shown in **Diagram 2 & 3**.

**DIAGRAM 6:**  
Vertical Wall Mounting



**DIAGRAM 8:**  
Horizontal Wall Mounting



**DIAGRAM 9:**  
Cabinet screws



**DIAGRAM 10:**  
Fish Speaker Wire

## SPEAKER ADJUSTMENTS

### Grille Removal

The Tantra grille is pre-installed at the factory. To remove it, start on one corner and simply pull the grille out with your fingers (**Diagram 11**) Then do the same on the opposite side (**Diagram 12**) and continue to gently work your way down.

### Pivoting Tweeter Adjustment

Tantra Series speakers come from the factory with the tweeter in the neutral position. This will result in the overall smoothest response. However, depending on your particular primary area, room acoustics, ceiling height, or personal preference, you may find the sound more pleasing by pointing the tweeters in a particular direction.

If additional treble is desired in the primary listening area, point the tweeter towards that area; and if less treble is required, point the tweeter away.

When used in a home theater surround sound environment as side or rear channel speakers, the best result may be obtained by pointing the tweeters toward an adjacent wall to diffuse high frequencies.

To adjust the tweeter and midrange, push gently at the edges to point them in the desired direction. (**Diagram 13 & 14**)

**CAUTION: Avoid touching the tweeter and midrange dome as damage WILL occur.**

### Grille Installation

To reinstall the grille, simply align the holes on the side of the grille with the pins located on the front of the speaker. Once aligned push the grille in gently until it snaps into place.

### Adjusting the Grille Badge

The Tantra Grille badge is factory installed in the horizontal position. If you desire to maintain the badge in that particular orientation when using your Tantra Series Speakers as a center channel, simply rotate the grille badge with your fingers. The spring loaded mechanism will allow the grille badge to be rotated a full 360°.



**DIAGRAM 11:**  
Remove Grille from corner



**DIAGRAM 12:**  
Pull out opposite side



**DIAGRAM 13:**  
Pivoting Tweeter and Midrange (Tantra Three only)



**DIAGRAM 14:**  
Pivoting Tweeter

# SPECIFICATIONS

	<b>Tantra Triple LCR</b>	<b>Tantra Four</b>	<b>Tantra Three</b>
<b>Speaker Type:</b>	2-Way Ported LCR	3-Way Ported On-Wall	3-Way Ported On-Wall
<b>Tweeter:</b>	(3) 3/4" Aluminum Dome	(1) 1" Aluminum Dome	(1) 1" Aluminum Dome
<b>Mid:</b>	N/A	(2) 5 1/4" Aluminum Cone	(1) 2" Aluminum Dome
<b>Woofer:</b>	(3) 5 1/4" Aluminum Cone	(2) 5 1/4" Aluminum Cone	(2) 5 1/4" Aluminum Cone
<b>Impedance:</b>	Compatible with 4 - 8 ohm outputs	Compatible with 4 - 8 ohm outputs	Compatible with 4 - 8 ohm outputs
<b>Sensitivity:</b>	90dB	90dB	90dB
<b>Frequency Response:</b>	65Hz - 20khz	60Hz - 20khz	62Hz - 20khz
<b>Power Handling:</b>	5 -150 Watts	5 -150 Watts	5 -150 Watts
<b>Dimensions:</b> <small>(Add 3/4" for mounting Bracket)</small>	W 6 7/16" x H 34" x D 4"	W 6 7/16" x H 34" x D 4"	W 6 7/16" x H 28" x D 4"
	<b>Tantra Two</b>	<b>Tantra One</b>	
<b>Speaker Type:</b>	2-Way Ported On-Wall	2-Way Ported On-Wall	
<b>Tweeter:</b>	(1) 1" Aluminum Dome	(1) 1" Aluminum Dome	
<b>Woofer:</b>	(2) 5 1/4" Aluminum Cone	(1) 5 1/4" Aluminum Cone	
<b>Impedance:</b>	Compatible with 4 - 8 ohm outputs	Compatible with 4 - 8 ohm outputs	
<b>Sensitivity:</b>	89dB	89dB	
<b>Frequency Response:</b>	65Hz - 20khz	75Hz - 20khz	
<b>Power Handling:</b>	5 -125 Watts	5 -125 Watts	
<b>Dimensions:</b> <small>(Add 3/4" for mounting Bracket)</small>	W 6 7/16" x H 24" x D 4"	W 6 7/16" x H 11 3/16" x D 4"	
<b>(In an attempt to constantly improve our products, features and specifications are subject to change without notice.)</b>			

For technical questions, please call 1-800-448-0976. We are available to assist you weekdays (except holidays) between the hours of 7:00 a.m. and 5:00 p.m. PST. Tantra Audio offers a variety of accessories to make your installation of these speakers and our other products easy, economical and professional. For additional information contact your Authorized Tantra Audio Dealer.

## LIMITED LIFETIME WARRANTY

Tantra Audio warrants to the original retail purchaser only that this Tantra Audio product will be free from defects in materials and workmanship, provided the speaker was purchased from a Tantra Audio Authorized Dealer.

Defective products must be shipped, together with proof of purchase, prepaid insured to the Tantra Audio Authorized Dealer from whom they were purchased, or to the Tantra Audio factory at the address listed on this installation instruction manual. Freight collect shipments will be refused. It is preferable to ship this product in the original shipping container to lessen the chance of transit damage. In any case, the risk of loss or damage in transit is to be borne by the purchaser. If, upon examination at the Factory or Tantra Audio Authorized Dealer, it is determined that the unit was defective in materials or workmanship at any time during this warranty period, Tantra Audio or the Tantra Audio Authorized Dealer will, at its option, repair or replace this product at no additional charge, except as set forth below. If this model is no longer available and can not be repaired effectively, Tantra Audio, at its sole option, may replace the unit with a current model of equal or greater value. In some cases where a new model is substituted, a modification to the mounting surface may be required. If mounting surface modification is required, Tantra Audio assumes no responsibility or liability for such modification.

All replaced parts and product become the property of Tantra Audio. Products replaced or repaired under this Warranty will be returned to the original retail

purchaser, within a reasonable time, freight prepaid. This Warranty does not include service or parts to repair damage caused by accident, disaster, misuse, abuse, negligence, inadequate packing or shipping procedures, commercial use, voltage inputs in excess of the rated maximum of the unit, or service, repair or modification of the product which has not been authorized or approved by Tantra Audio. This Warranty also excludes normal cosmetic deterioration caused by environmental conditions. This warranty will be void if the Serial Number on the product has been removed, tampered with or defaced.

This Warranty is in lieu of all other expressed warranties. If the product is defective in materials or workmanship as warranted above, the purchaser's sole remedy shall be repair or replacement as provided above. In no event will Tantra Audio be liable for any incidental or consequential damages arising out of the use or inability to use the product, even if Tantra Audio or a Tantra Audio Authorized Dealer has been advised of the possibility of such damages, or for any claim by any other party. Some states do not allow the exclusion or limitation of consequential damages, so the above limitation and exclusion may not apply. All implied warranties on the product are limited to the duration of this expressed Warranty. Some states do not allow limitation on the length of an implied warranty. If the original retail purchaser resides in such a state, this limitation does not apply.

