



TANTRA



INTRODUCTION

Congratulations on your purchase of Tantra Series speakers. Tantra Audio guarantees that you will enjoy your maintenance free Tantra Series speakers for many years to come. However, to be sure you optimize their performance please read this manual carefully.

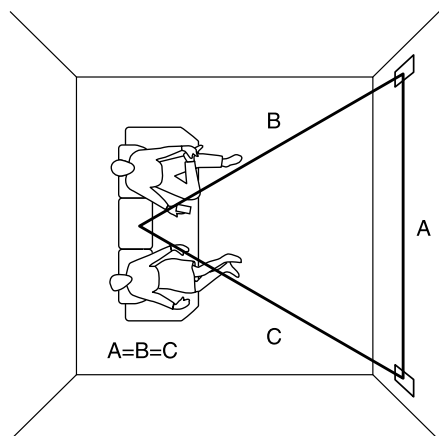
SPEAKER PLACEMENT

Front Channels

1. Determine your primary listening area. The area where you will likely be sitting when listening to your speakers is your primary listening area. Try to keep them symmetrical with respect to your screen.

2. Decide the distance apart. Consider how far apart the speakers should be. To do this think of your listening area as one tip of a triangle with each leg of a triangle being equal (**DIAGRAM 1**). However, for best effects we recommend that your left and right speakers are six to fifteen feet apart depending on the listening distance. Try to keep them away from corners by 1.5 ft. to help minimize excessive bass.

DIAGRAM 1:
Speaker Placement



3. Decide the Speaker height. For optimum performance the tweeter should be at or slightly above the listener's ear level.

4. Check for Obstruction. Before confirming the placement of your Tantra In-Wall speakers, you should carefully consider the location of the studs, fire blocks, electrical, plumbing and other fixtures that may get in the way. If you are installing the speakers into existing wall fixtures, gain access to the attic or crawl space for further analysis if possible. A good stud finder will help you determine where the studs are located.

Center Channel Placement

When using a plasma or television screen a single speaker should be placed close to the screen usually just above or below it with the tweeter directed towards the listener.

(DIAGRAM 2)



DIAGRAM 2:
Speaker Placement
below screen

When using a drop down perforated screen, your center channel can be placed behind the screen in alignment with your left and right speakers.

(DIAGRAM 3)



DIAGRAM 3:
Speaker Placement
behind perforated
screen

Rear Channels

Try to keep rear channels symmetric with your front channels forming an equidistant triangle around the main listening position.

Dipole Surrounds

Mount on sidewalls, laterally symmetric to the listening position (ideally one firing into each ear) at or slightly above the seated listening position.

NOTE: Do not place your surrounds near the ceiling.

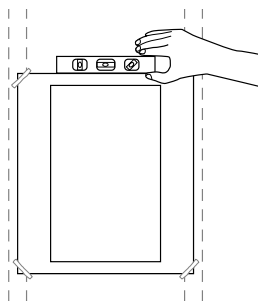
INSTALLATION PREPARATION

Prior to actual installation of your speaker, it will be necessary to run cables to the speaker location. See your Authorized Tantra dealer for information on cable installation.

1. Determine Placement. Determine where in the wall the speakers will be placed, using the recommendations under "SPEAKER PLACEMENT". Pay careful attention to the section on avoiding obstructions.

2. Locate Obstructions. Find the studs nearest the desired speaker mounting location. The use of a good

DIAGRAM 4:
Leveling the Template

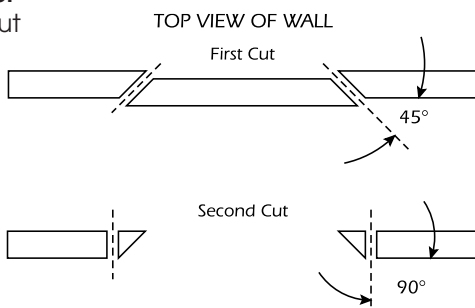


stud-finder tool is highly recommended for this procedure. The speakers should be centered between the two 16" on center studs. Make sure that there are no studs or obstructions where you plan to install the speaker.

3. Trace Template. Place the cutout template at the location you have decided to place the speaker. Keep in mind that the flange of the speaker will extend beyond the cut opening by 1/4". Center the template between the studs. With the template in place, use a level along the top or bottom edge to make sure it is even with the floor and ceiling. Use a few pieces of tape or small tacks to hold the template in place. **(DIAGRAM 4)** Trace an outline on the wall with a pencil.

4. Cut the Hole. CAUTION: This is the most important part of the entire installation. If you are not certain whether or not an obstruction exist behind the desired mounting area, you should start by cutting a small hole in the center of your penciled mounting hole with a drywall saw. Cut at a 45° angle towards the inside of the hole. **(DIAGRAM 5)** Cutting the small hole at this angle will make drywall repair much easier as the piece cut out can be installed neatly back into the hole. Once you have determined that there aren't any obstructions in your desired mounting location, start cutting the finished hole at a 90° angle to the wall surface.

DIAGRAM 5:
Wall Cut Out



WIRING THE TANTRA ON-WALL SERIES

NOTE: All the connections should be made with the equipment switched off. (DIAGRAM 6) Attach the speaker cable to the speaker terminals, observing the proper polarity with your amplifier, + to + and - to -. Make sure to connect the speaker outputs from your amplifier to the correct speaker.

DIAGRAM 6:
Terminal Cup

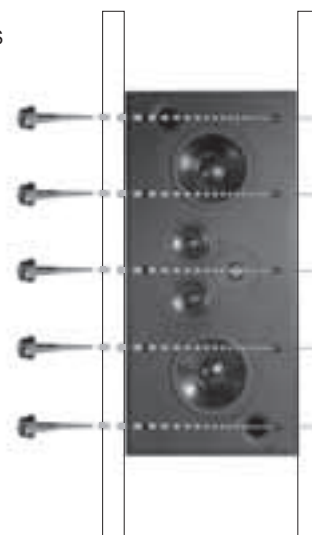


SPEAKER INSTALLATION

1. Using the drywall as support, gently slide the cabinet into the hole cut-out.

2. Insert the lag screws included with the packaging into the cabinet's screw holes and secure the cabinet to the studs. **(DIAGRAM 7)** We **highly** recommend pre-drilling each hole as that would allow the lag screws to penetrate easier without creating knots in the stud.

DIAGRAM 7:
Inserting Lag Screws



PAINTING THE GRILLES

The grille and grille frame can be painted by using 5 part thinning agent to 1 part paint. Great care should be taken not to clog the holes as this will greatly reduce the sound quality of the speaker. If it is necessary to paint the grille under cloth material, follow the same procedure used to paint the grille.

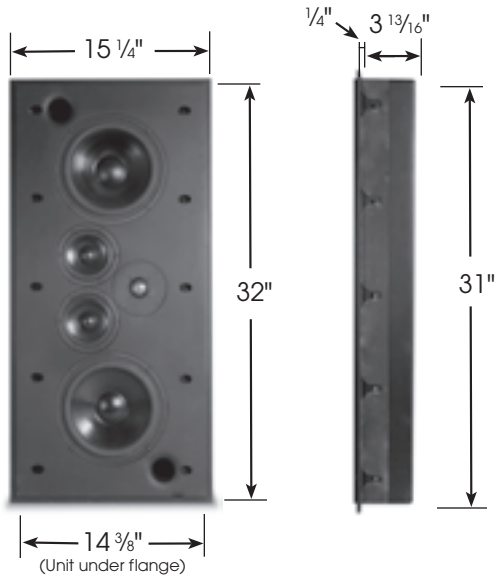
NOTE: The under cloth material must be removed before painting. To re-install it we recommend using a spray adhesive to keep it in place. Be very careful not to overspray the undercloth because it could block the sound.

GRILLE

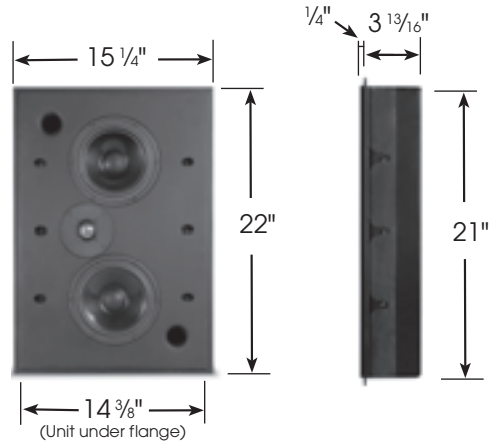
The grille is magnetically attached to the cabinet and can easily be removed by gently prying the grille forward.

DIMENSIONS

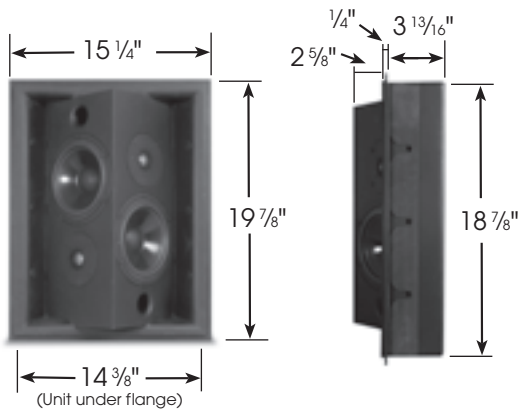
Tantra 8 LCR



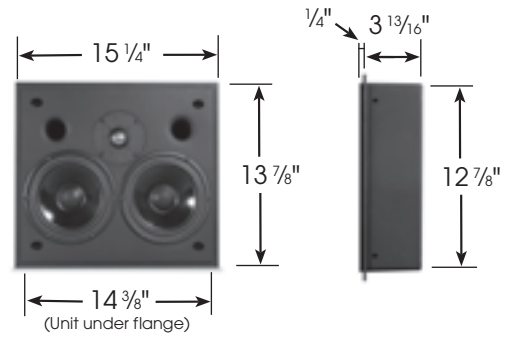
Tantra 6 LCR



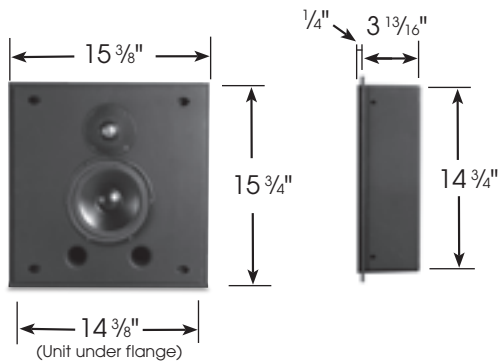
Tantra Dipole



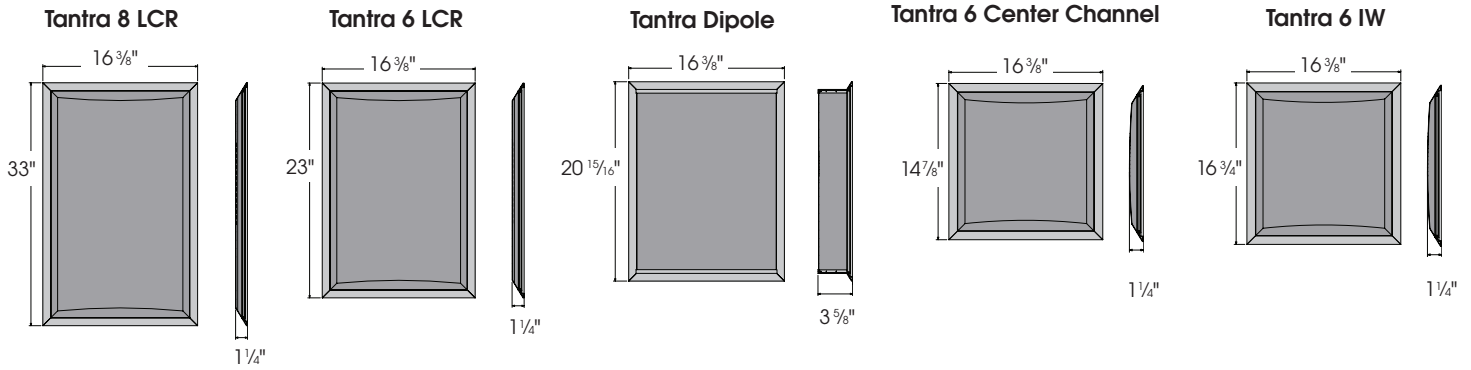
Tantra 6 Center Channel



Tantra 6 IW



GRILLE DIMENSIONS



SPECIFICATIONS

	Tantra 8 LCR	Tantra 6 LCR	Tantra Dipole
Speaker Type:	3-Way Ported LCR In-Wall	2-Way Ported LCR In-Wall	2-Way Ported In-Wall
Tweeter:	(1) 1" Aluminum Dome	(1) 1" Aluminum Dome	(2) 1" Aluminum Dome
Mid:	(2) SEAS 4" Treated Paper Cone	N/A	N/A
Woofers:	(2) 8" Treated Paper Cone	(2) 6 1/2" Treated Paper Cone	(2) 6 1/2" Treated Paper Cone
Impedance:	4 Ohms	4 Ohms	4 Ohms
Sensitivity:	89dB	89dB	89dB
Frequency Response:	42Hz - 20kHz	50Hz - 20kHz	62Hz - 20kHz
Power Handling:	150 Watts	120 Watts	120 Watts

	Tantra 6 Center Channel	Tantra 6 IW
Speaker Type:	2-Way Ported LCR In-Wall	2-Way Ported LCR In-Wall
Tweeter:	(1) 1" Aluminum Dome	(1) 1" Aluminum Dome
Mid:	N/A	N/A
Woofers:	(2) 6 1/2" Treated Paper Cone	(1) 6 1/2" Treated Paper Cone
Impedance:	4 Ohms	4 Ohms
Sensitivity:	89dB	88dB
Frequency Response:	60Hz - 20kHz	70Hz - 20kHz
Power Handling:	120 Watts	60 Watts

(In an attempt to constantly improve our products, features and specifications are subject to change without notice.)

For technical questions, please call 1-800-448-0976. We are available to assist you weekdays (except holidays) between the hours of 7:00 a.m. and 5:00 p.m. PST. Tantra Audio offers a variety of accessories to make your installation of these speakers and our other products easy, economical and professional. For additional information contact your Authorized Tantra Audio Dealer.

LIMITED LIFETIME WARRANTY

Tantra Audio warrants to the original retail purchaser only that this Tantra Audio product will be free from defects in materials and workmanship, provided the speaker was purchased from a Tantra Audio Authorized Dealer.

Defective products must be shipped, together with proof of purchase, prepaid insured to the Tantra Audio Authorized Dealer from whom they were purchased, or to the Tantra Audio factory at the address listed on this installation instruction manual. Freight collect shipments will be refused. It is preferable to ship this product in the original shipping container to lessen the chance of transit damage. In any case, the risk of loss or damage in transit is to be borne by the purchaser. If, upon examination at the Factory or Tantra Audio Authorized Dealer, it is determined that the unit was defective in materials or workmanship at any time during this warranty period, Tantra Audio or the Tantra Audio Authorized Dealer will, at its option, repair or replace this product at no additional charge, except as set forth below. If this model is no longer available and can not be repaired effectively, Tantra Audio, at its sole option, may replace the unit with a current model of equal or greater value. In some cases where a new model is substituted, a modification to the mounting surface may be required. If mounting surface modification is required, Tantra Audio assumes no responsibility or liability for such modification.

All replaced parts and product become the property of Tantra Audio. Products replaced or repaired under this Warranty will be returned to the original retail

purchaser, within a reasonable time, freight prepaid. This Warranty does not include service or parts to repair damage caused by accident, disaster, misuse, abuse, negligence, inadequate packing or shipping procedures, commercial use, voltage inputs in excess of the rated maximum of the unit, or service, repair or modification of the product which has not been authorized or approved by Tantra Audio. This Warranty also excludes normal cosmetic deterioration caused by environmental conditions. This warranty will be void if the Serial Number on the product has been removed, tampered with or defaced.

This Warranty is in lieu of all other expressed warranties. If the product is defective in materials or workmanship as warranted above, the purchaser's sole remedy shall be repair or replacement as provided above. In no event will Tantra Audio be liable for any incidental or consequential damages arising out of the use or inability to use the product, even if Tantra Audio or a Tantra Audio Authorized Dealer has been advised of the possibility of such damages, or for any claim by any other party. Some states do not allow the exclusion or limitation of consequential damages, so the above limitation and exclusion may not apply. All implied warranties on the product are limited to the duration of this expressed Warranty. Some states do not allow limitation on the length of an implied warranty. If the original retail purchaser resides in such a state, this limitation does not apply.

