

**Note:** Use 24 gauge unshielded solid or stranded copper wire up to 1200' (Cat. 5e ok), 22 gauge up to 2000', 20 gauge up to 3000' and 18 gauge up to 5300'. Total lengths include all wire runs from each room added together, not just the longest single run. If using shielded wire, these lengths would be reduced by approximately 30%. Also, to achieve operation with long lengths, the lower DIP switch on the AT-1.0 **must** be set to the NET ON position.

2. Connect IR receivers in each room to the 4-conductor home runs as shown, using the 4-conductor terminal strip supplied, as needed.
3. Connect the home run wires to the correct terminals on the AT-1.0 EZ-Connect terminals.

**Note:** You may use the SpeakerCraft **CB Connecting Block** (not illustrated, stock # ASM20200) to help connect the many paralleled home run wires to the AT-1.0 EZ-Connect Terminals.

4. Install and plug the various emitters into the AT-1.0, as shown.
5. Set the DIP switches to EM ON (or BL ON if using Blasters behind closet doors) and NET ON.
6. Plug the local IRC-3.0 IR Receiver into the IR RCVR jack.
7. Plug in the PS-1.0 12V DC Power Supply.
8. A remote control, fired at the IR receivers, should now control the components.

**Note:** Refer to the SpeakerCraft AT-1.0 Instructions for Power Supply considerations.

### STATUS Brightness

Fig. 3 also shows how an external resistor can be added to reduce the brightness of the Status LEDs on SpeakerCraft IR Receivers to any desired level.

In this example, a PS-1.0 12V DC Power Supply is used as the voltage source to indicate the ON/OFF status of an AV Receiver.

Choose a resistor value that achieves the brightness you desire (about 2.2k to 12k, 1/8 W). Connect it in series with the STATUS lead on each IR receiver desired, as shown.

### LIMITED 5-YEAR WARRANTY

SpeakerCraft Inc. warrants to the original retail purchaser only that this SpeakerCraft product will be free from defects in materials and workmanship, for a period of 5-years, provided it was purchased from a SpeakerCraft Authorized Dealer.

Defective products must be shipped, together with proof of purchase, prepaid insured to the SpeakerCraft Authorized Dealer from whom they were purchased, or to the SpeakerCraft factory at the address listed on this installation instruction manual. Freight collect shipments will be refused. It is preferable to ship this product in the original shipping container to lessen the chance of transit damage. In any case, the risk or loss or damage in transit is to be borne by the purchaser. If upon examination at the Factory or SpeakerCraft Authorized Dealer it is determined that the unit was defective in materials or workmanship at any time during this warranty period, SpeakerCraft or the SpeakerCraft Authorized Dealer will, at its option, repair or replace this product at no additional charge, except as set forth below. If this model is no longer available and can not be repaired effectively, SpeakerCraft, at its sole option may replace the unit with a current model of equal or greater value. In some cases where a new model is substituted, a modification to the mounting surface may be required. If mounting surface modification is required, SpeakerCraft assumes no responsibility or liability for such modification. All replaced parts and product become the property of SpeakerCraft Inc. Products replaced or repaired under this warranty will be returned to the original retail purchaser, within a reasonable time, freight prepaid.

This warranty does not include service or parts to repair damage caused by accident, disaster, misuse, abuse, negligence, inadequate packing or shipping procedures, commercial use, voltage inputs in excess of the rated maximum of the unit, or service, repair or modification of the product which has not been authorized or approved by SpeakerCraft. This warranty also excludes normal cosmetic deterioration caused by environmental conditions. This warranty will be void if the Serial number on the product has been removed, tampered with or defaced.

This warranty is in lieu of all other expressed warranties. If the product is defective in materials or workmanship as warranted above, the purchaser's sole remedy shall be repair or replacement as provided above. In no event will SpeakerCraft be liable for any incidental or consequential damages arising out of the use or inability to use the product, even if SpeakerCraft Inc. or a SpeakerCraft Inc. Authorized Dealer has been advised of the possibility of such damages, or for any claim by any other party. Some states do not allow the exclusion or limitation of consequential damages, so the above limitation and exclusion may not apply. All implied warranties on the product are limited to the duration of this expressed warranty. Some states do not allow limitation on the length of an implied Warranty. If the original retail purchaser resides in such a state, this limitation does not apply.

**SpeakerCraft®**

940 Columbia Avenue, Riverside, CA 92507 • 800-448-0976 • Fax 951-787-8747  
www.speakerscraft.com

LIT01400 (rev1)  
223498X20

# SmartPath™

## IRC-4.0 Junction Box Infrared Receiver INSTALLATION INSTRUCTIONS

The IRC-4.0 is a distinctly styled IR Receiver designed to fit into standard single gang electrical Junction Boxes. Among its unique features is an exclusive Ambient Noise Suppression (ANS) system. It acts to push down IRI, CFL, EMI, or ESI noise sources so that stronger signals from IR remotes have adequate margin for command of the controlled component.

**Note:** The ANS will take a few seconds to adjust to a given noise source. During this time, the blue Activity LED will glow brightly and then fade out. If the interference disappears momentarily, then returns, the fade down process will repeat. Certain noise sources, however, (such as Plasma Screens) may result in low-level flickering even after the fade down. This is normal. Such signals have been acted upon by the ANS, allowing most equipment to be controlled.

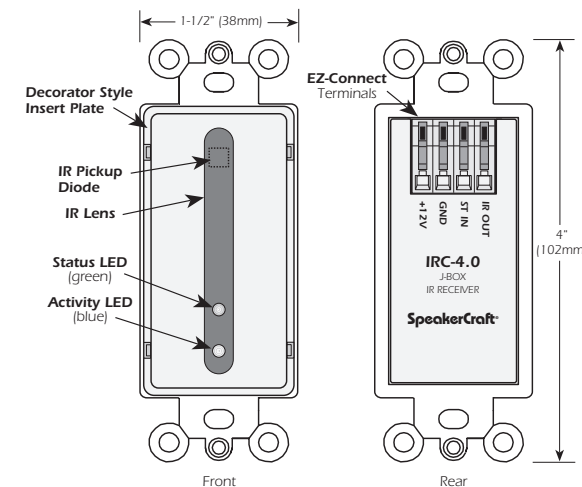


Fig. 1

### FEATURES/SPECIFICATIONS

- The IRC-4.0 has a unique EZ-Connect 4-terminal spring-loaded connector for quick connection to inter-room wiring. It accommodates STATUS as well as IR, Power and Gnd connections.
- Exclusive Ambient Noise Suppressor (ANS) system.
- STATUS Indicator: Green LED for System On/Off indication.
- ACTIVITY Indicator: Blue LED indicates IR signal activity in a completed circuit with a Terminator or an Emitter.
- Requires Power Supply, Terminator Block, Emitters and a color-matched Decorator style Outer Cover Plate (not included).

- Power: 12V DC @ 6 mA. Supplied from connected Terminator.
- IR Lens rejects visible light interference.
- Crosshatch Shield (internal) inhibits EMI/ESI Interference.
- Carrier Frequency Acceptance Range: 28 to 90 kHz.
- Control Range: Up to 35 feet, depending on remote strength and ambient noise conditions.
- Control Angle:  $\pm 50^\circ$  off axis.
- The IRC-4.0 includes a Decorator style Insert Plate. Four colors are available; White, Bone, Almond and Black – order by Stock #.
- Mounting: Conventional J-Box mounting with the screws provided.
- Dimensions: 4" (102mm) H x 1 1/2" (38mm) W x 1" (25mm) D.

## SYSTEM CONNECTIONS

The following are a few typical applications of the IRC-4.0 in IR repeater systems.

### A Basic System

Fig. 2 shows a basic installation, where components in an equipment area are controlled through an IRC-4.0 from a remote room.

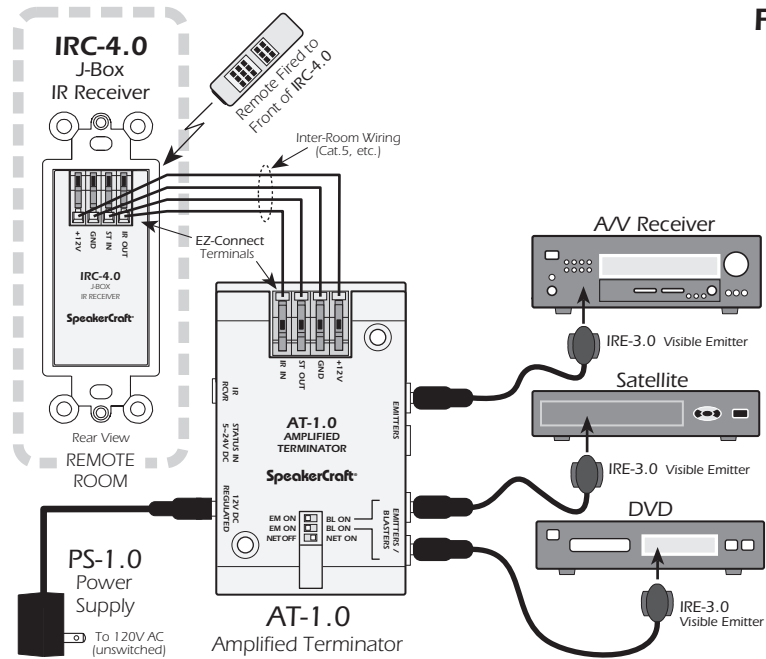


Fig. 2

1. Pull 4 conductors of the inter-room wiring and connect them to the EZ-Connect Terminals on the IRC-4.0 as shown.
2. Mount the IRC-4.0 into the wall J-Box using the two screws provided.
3. Connect the inter-room wiring from the IRC-4.0 to the EZ-Connect Terminals on the SpeakerCraft AT-1.0 Amplified Terminator.
4. Install and plug the Emitters into the AT-1.0 as shown.
5. Set the DIP switches on the AT-1.0 to EM ON and NET ON or OFF.
6. Plug in the Power Supply.
7. The remote control, fired at the IRC-4.0, should now control the components.

### A Multi-Room System

Fig. 3 is an example of the IRC-4.0 functioning in a multi-room system with other SpeakerCraft IR receivers in various rooms, plus a local IRC-3.0. These control the various components in the main room or equipment area.

1. Pull 4-conductor wire from each room (home runs) to the AT-1.0 Terminator near the controlled components.

Fig. 3

