

RCP02 and RCP05 Control Panels

2 and 5 Button Scene Senders



What is it?

The RCP02 and RCP05 are an elegant range of wireless 2 and 5 push button wall mounted control panels. The 5 button variant provides selection of 4 preset scenes plus off and the 2 button allows a single scene plus off. Scene programming function is NOT accessible from these panels.

The panels communicate with other Rako devices, such as the RD range of dimmer modules, using coded FM radio data transmission, ensuring reliable interference free operation.

Rakom coded radio transmission eliminates the need for any data or power cabling ensuring that the system can be installed with the minimum of fuss and disruption.

RCP panels are designed to be mounted anywhere, be it flush mounting to UK back-boxes or simply surface mounted to any flat surface using the patress provided. The universal backing plate even allows the RCP panel to be mounted over European back-boxes.

Face plates come in a variety of standard finishes including: white, charcoal grey, brushed stainless steel, mirror stainless steel and polished brass.

Key Features

Up to 4 preset scene selection and off

256 house 256 room addresses

15 channel/circuit control (Up to 60 channels accessible using Rasoft software)

Scene programming not accessible

Non volatile memory storage

Smooth cross fading between scenes

Simple system configuration can be performed by non technical staff

House, room and channel addresses can be set without the need for a PC.

Easy installation without the need for control cabling. Leave existing wiring intact

Transmitting range of 15m in building (100m line of sight)

Sends scene instructions using coded wireless FM radio communication with auto repeat and error correction

Long battery life (in excess of 3 years), easily replaced by the user.

Low battery warning by LED indication

Four standard face plate finishes white, brushed stainless steel, mirror stainless steel, and polished brass with many additional non standard finishes available upon request

Flush mounting to UK back boxes

Low profile surface mounting to UK and European back boxes or direct to flat surfaces

Fully CE compliant



Surface
mounted

Flush
mounted

The Benefits

Control panels that can be mounted anywhere

Simple to retro-fit to existing conventionally wired schemes

An elegant single gang design to suit all interiors

Panel sends scene commands using FM communications

No disruptive and costly building work to walls and ceilings required

Installation time reduced considerably

Configured using Rako's unique addressing system

Multiple switch position control easily achieved without wires

Uses the Rakom FM network allowing interfacing with audio visual, security and other auxiliary systems

Many advanced user features accessible using Rasoft programming software

RCP02 and RCP05 Control Panels

2 and 5 Button Scene Senders

Electrical Data

Supply:	6V (2 x 3V Lithium coin cells CR2016) Remote power supply option available
Battery Life :	Greater than 3 years
Standards:	EMC - EN 5001-1 :1992 Immunity - EN 50082-1 :1997
Data Transmission:	Rakom coded FM radio
Memory:	Flash memory

The Range

RCP05-W	5 button controller complete with white surround and faceplate
RCP05-C	5 button controller complete with charcoal grey surround and faceplate
RCP05-WX	5 button controller complete with white surround and faceplate. Fitted with flying lead for external power supply
RCP05-CX	5 button controller complete with charcoal grey surround and faceplate. Fitted with flying lead for external power supply
RCP02-W	2 button controller complete with white surround and faceplate
RCP02-C	2 button controller complete with charcoal grey surround and faceplate
RCP02-WX	2 button controller complete with white surround and faceplate. Fitted with flying lead for external power supply
RCP02-CX	2 button controller complete with charcoal grey surround and faceplate. Fitted with flying lead for external power supply

Additional cover plates:

RPP05-SS	5 Button brushed stainless cover plate and fixing set
RPP05-PB	5 Button polished brass cover plate and fixing set
RPP05-MS	5 Button mirror stainless cover plate and fixing set
RPP02-SS	2 Button brushed stainless cover plate and fixing set
RPP02-PB	2 Button polished brass cover plate and fixing set
RPP02-MS	2 Button mirror stainless cover plate and fixing set

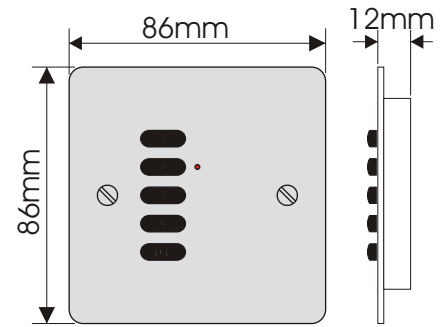
Other finishes available on request

© 2003 Rako Controls Limited

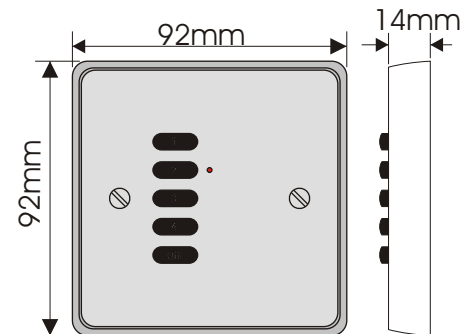
We reserve the right to change the specification and data herewith without notice.

Your Dealer is

Flush Mounting



Surface Mounting



Mechanical Data

Weight:	100g
Climate range:	Temperature +2 to +40°C Humidity 5 to 90% non condensing
Fixing:	Flush mounting on standard UK single gang back box (minimum 12mm deep) Surface mounting on Standard single gang UK and European back boxes or, direct to flat surfaces.

