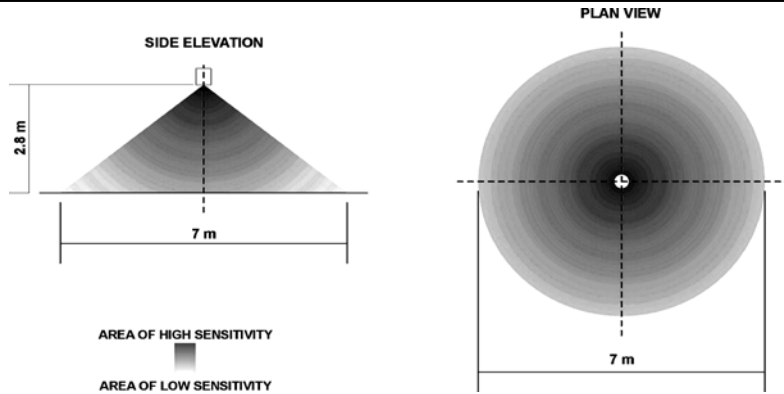
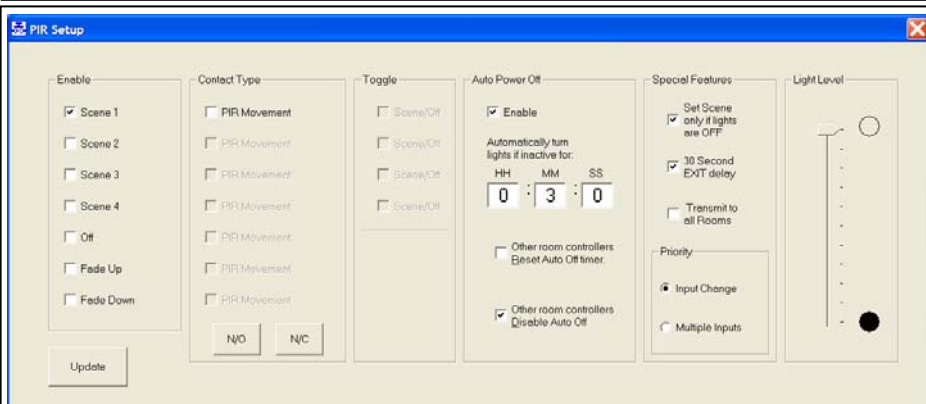


DETECTION PATTERN



RAVPIR RASOFT SETUP SCREEN



Enable: Select which Scene command is transmitted by the RAVPIR (Default = Scene 1).

Contact Type: Transmit Scene command when movement is detected, or when movement is not detected. (Default = Transmit Scene when movement detected).

Toggle: This feature is not used on this model.

Auto Power Off: If enabled then RAVPIR automatically transmits an OFF command after preset period of inactivity. (ie – sets how long the lights stay on). (Default = ON, period = 3 minutes)

Other Room Controllers Reset Auto Off Timer: Allows more than one RAVPIR to be used in larger areas. Prevents spurious light off commands if one of the PIRs does not detect movement.

Other Room Controllers Disable Auto Off: Allows User switch on lights manually. Then lights stay on even if no PIR movement is detected.

Special Features:

Set Scene Only if Lights are Off: Allows User to adjust lighting level to a preferred scene without PIR then resetting the scene. (Default is option enabled).

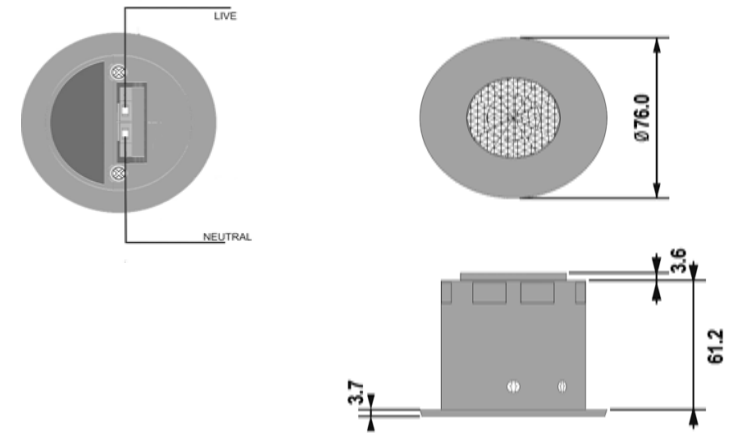
30 Second Exit Delay: Allows the User to switch lights off using a wallplate, and then leave the room without re-triggering the PIR to switch lights back on.

Transmit to all Rooms: Use this option to make PIR transmit to the whole house. This is preferable to setting the PIR address to room zero as it makes programming of the system easier.

Priority: This feature is not used on this model.

Light Level: Use to adjust ambient light level below which the RAVPIR becomes active. Prevents lights being switched on during daylight hours.

PRODUCT DATA AND INSTALLATION SHEET RAVPIR CEILING PRESENCE DETECTOR



DESCRIPTION

The RAVPIR presence detector is designed to provide automatic control, of lighting, heating and ventilation loads. The RAVPIR detects movement by means of a PIR sensor and transmits RAKO Scene Codes. When the area is no longer occupied the RAVPIR can transmit an Off command after an adjustable time period. Other options such as Programmable Exit Delay, Ambient light settings, Time delays etc are programmable using the RASOFT software package (available separately).

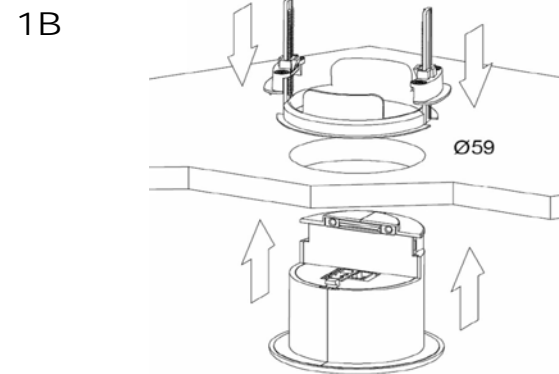
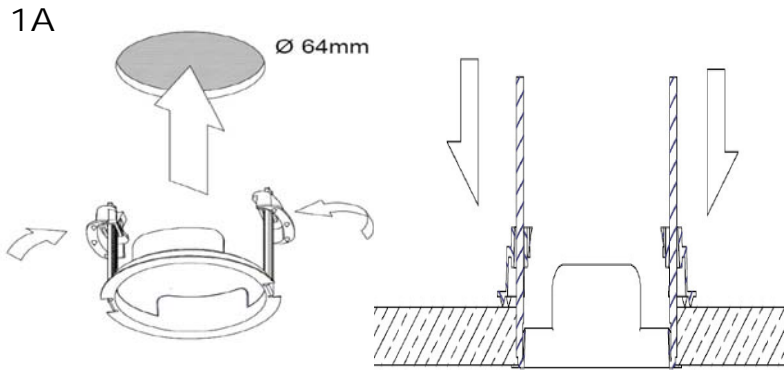
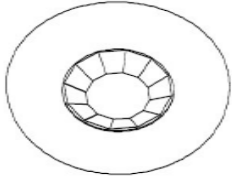
INSTALLATION

Warning. This device works at mains potential. Be sure to take care when working with electricity.

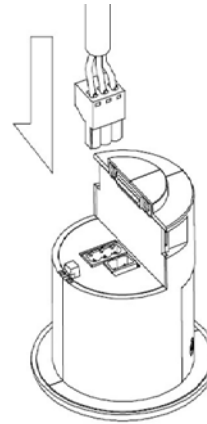
1. The detector should be sited so that the occupants of the room fall inside the detection pattern shown on page 4, at a recommended height of 2.8m on the ceiling. Note that the lower the sensor is installed the smaller the detection range will be, subject to the parameters shown on the diagram.
2. Avoid direct sunlight entering the sensor.
3. Do not site within 1m of forced air heating or ventilation.
4. Do not site within 1m of any lighting.
5. Do not fix to a vibrating surface.
6. Wire the product using the connector provided.
7. Mount using the methods shown on pages 2, 3.
8. Isolate the mains supply to the circuit at the main consumer unit.
9. Connect the controller via the terminal block to Live supply and Neutral.
10. Switch the mains supply back on at the consumer unit.
11. Set the module address by using a magnet and a room controller or RASOFT
12. Vacate the room or remain very still and wait for the module to transmit an OFF command to a RAKO dimmer module (should take no more than 2 minutes).
13. Check that the dimmer load switches on when movement is detected.
14. To set the LUX level, time delays and mode of operation use RASOFT

Rako thanks you for having purchased a Rako product and hopes that you are pleased with your system. Should for any reason you need to contact us please contact us via our website www.rakocontrols.com or by phoning our customer help line on 0870-043-3905.

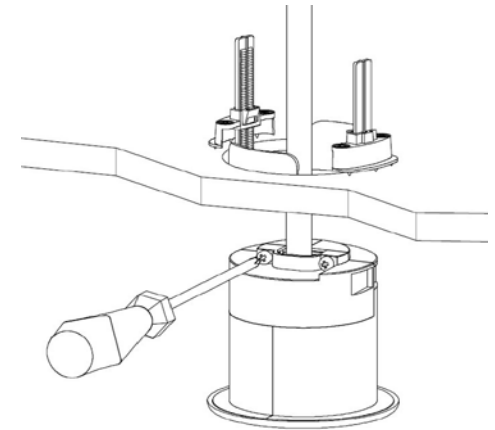
FLUSH FIXING



2



3

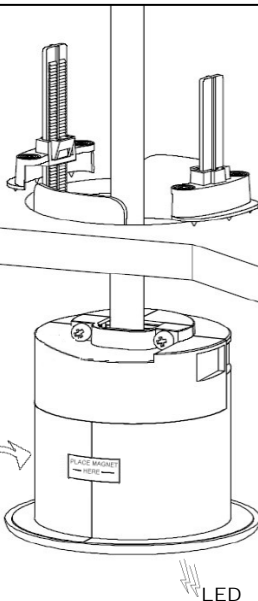


4

Set the RAVPIR Address

Set RAVPIR Address before pushing RAVPIR into ceiling

Magnet



TESTING THE RAVPIR

You will need a RAKO Wallplate, handheld remote or a PC equipped with RASOFT and a RAUSB. You also need a RAKO dimmer or relay module already installed and working. Check that the dimmer is operating correctly with the wallplate/RASOFT. The wallplate and dimmer should already be set to the desired House and Room Addresses.

Apply power to the RAVPIR.

Hold a magnet against the RAVPIR in the position indicated. A Red LED will illuminate inside the front lens of the RAVPIR. Hold the magnet in position until the LED starts to flash.

Put the Wallplate into Programming Mode and send ID to the RAVPIR (See wallplate Instructions for further detail), The RAVPIR LED should stop flashing.

Switch the room lights on and then off using the wallplate.

Either leave the room immediately, or stay very still for more than 30 seconds.

Move within the RAVPIR detection zone – the RAVPIR will transmit a Scene 1 command which should illuminate the room light. for 5 minutes.

The default RAVPIR settings can be changed using the RASOFT software.