

## DATA SHEET

# RAV232

RS232 SERIAL TO RF GATEWAY



### WHAT IS IT ?

Designed to operate with the Rako RASOFT PC programming software.

The unit provides a wireless link from a PC running RASOFT to RAKOM enabled receiver devices such as the RDL range of dimmers.

Can also be used with audio visual systems and PC based home automation systems.

The RAV232 is a RS232 serial to RF interface for the RASOFT PC software suite



### SERIAL CONTROL

The RAV232 module allows a PC running the RASOFT programming software to communicate with RAKOM receiver devices.

Communication is by RS232 via a serial com port.

Audio visual systems, multiroom audio systems and PC based home automation systems can control a Rako control system using a simple ASCII command set.

## DATA SHEET

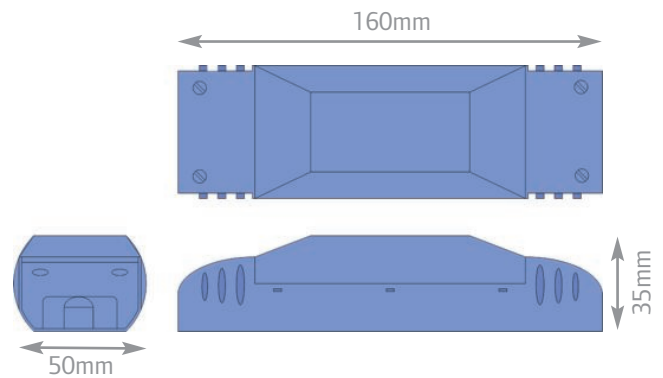
# RAV232

RS232 SERIAL TO RF GATEWAY

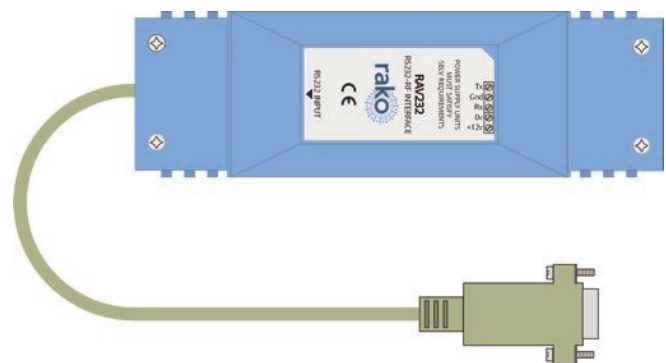
### TECHNICAL DATA

<b>DIMENSIONS</b>	160x50x36mm
<b>INPUT SUPPLY</b>	12V DC (or powered via PC com port)
<b>WEIGHT</b>	125g
<b>HOUSING</b>	UL V0 material
<b>CLIMATE RANGE</b>	Temperature +2C to +40C Humidity +5% to 95% non condensing
<b>CONNECTIONS</b>	9 pin D-type serial 2 way screw terminal for DC power
<b>TERMINAL SIZES</b>	2.5mm <sup>2</sup>
<b>SERIAL PORT SPEED</b>	1200 BAUD
<b>STANDARDS</b>	EMC - EN 5001-1 :1992 Immunity - EN 50082-1 :1997 LVD - EN 60950-1 :1992
<b>COMMUNICATION</b>	Rakom coded fm radio, 433.9MHz
<b>MEMORY</b>	Flash memory (non volatile)

### MECHANICAL DATA



### CONNECTION DETAILS



telephone +44 (0) 870 043 3905 fax +44 (0) 870 043 3906 [www.rakocontrols.com](http://www.rakocontrols.com)