

## WHAT IS IT ?

Designed to operate with the Rako RASOFT PC programming software.

The unit provides a wireless link from a PC running RASOFT to RAKOM enabled receiver devices such as the RDL range of dimmers.

The RAUSB is a USB to RF interface for the RASOFT PC software suite



## FLEXIBLE CONTROL

The RAUSB module allows a PC running the RASOFT programming software to communicate with RAKOM receiver devices.

A free USB1.1 or USB2.0 port is required on a PC running WindowsXP, 2000 or 98SE.



## DATA SHEET

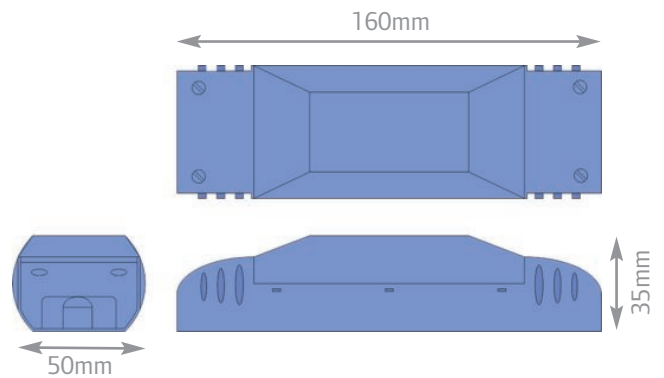
# RAUSB

USB RF GATEWAY FOR RASOFT

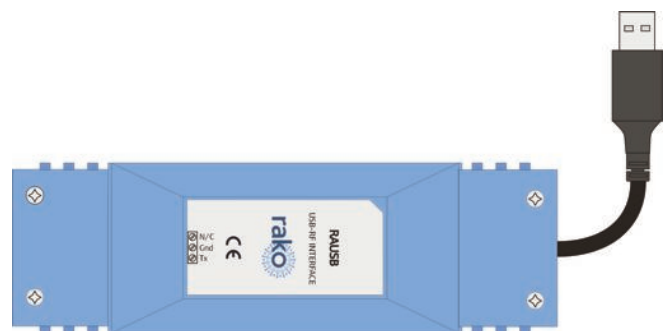
### TECHNICAL DATA

<b>DIMENSIONS</b>	160x50x36mm
<b>INPUT SUPPLY</b>	5V DC (powered via USB port)
<b>WEIGHT</b>	125g
<b>HOUSING</b>	UL V0 material
<b>CLIMATE RANGE</b>	Temperature +2C to +40C Humidity +5% to 95% non condensing
<b>CONNECTIONS</b>	USB Type A male
<b>SYSTEM REQUIREMENTS</b>	IBM Compatible PC running WindowsXP, Windows2000 or Windows98SE
<b>STANDARDS</b>	EMC - EN 5001-1 :1992 Immunity - EN 50082-1 :1997 LVD - EN 60950-1 :1992
<b>COMMUNICATION</b>	Rakom coded fm radio, 433.9MHz
<b>MEMORY</b>	Flash memory (non volatile)

### MECHANICAL DATA



### CONNECTION DETAILS



telephone +44 (0) 870 043 3905 fax +44 (0) 870 043 3906 [www.rakocontrols.com](http://www.rakocontrols.com)