



Wired
data sheet

WAPIR

360° CEILING MOUNTED RF MOTION DETECTOR



WHAT IS IT?

A ceiling mount PIR motion detector with a 360° sensor pattern.

The unit is ideally suited to office and residential applications where automatic scene selection is required.

The WAPIR is a ceiling mounted 360° PIR motion sensor



MOVEMENT CONTROL

The WAPIR motion detector module allows scenes to be selected automatically via movement.

In factory default setting, the unit will select scene 1 and off, with a timeout of 5 minutes. It will also dim lights slightly before going off entirely, to pre-warn the occupant.

When configured with the RASOFT programming software, it is possible to select which scene is activated and modify the timeout period. The WAPIR also listens to WCM/RCM wall plates, to enable and disable the PIR motion function when not required.

Mounting is via a 64mm diameter ceiling cutout, where a plastic collar is fitted. The housing is then pushed into place without the need for fixing screws. This method of installation ideally suits plasterboard or solid ceilings as it avoids the need for rear access to the unit and protects the surrounding finish.



Wired
data sheet

WAPIR

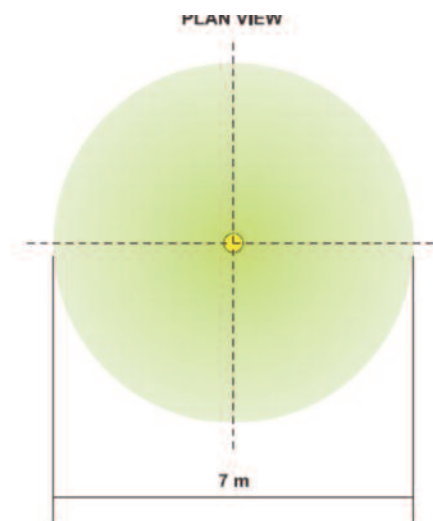
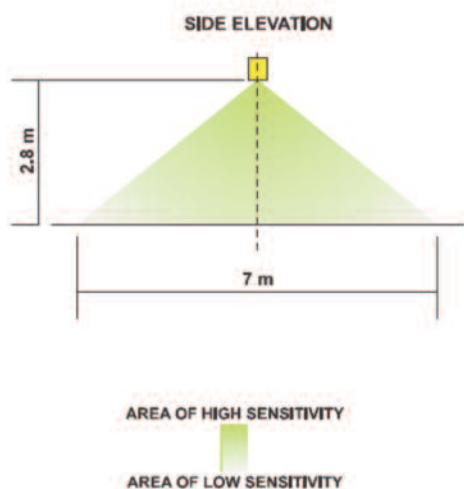
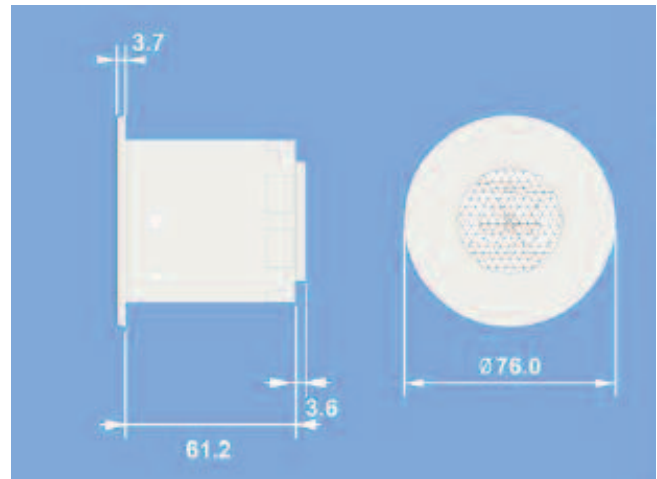
360° CEILING MOUNTED RF MOTION DETECTOR



technical data

dimensions	68.5x76mm (64mm ceiling cut-out)
input supply	12-18vdc supply from Rakom CAT5 wired network
weight	125g
housing	Flame retardant ABS, fixing clip polypropylene
type	Class 2
climate range	Temperature +2C to +40C Humidity +5% to 95% non condensing
cable type	UTP CAT5e or CAT6
terminal type	8 way Krone punch down
standards	Emissions - EN61000-6-3 : 2001 Immunity - EN61000-6-1 : 2001
communication	Rakom wired network
memory	Flash memory (non volatile)

mechanical data



telephone +44 (0) 1634 226666 fax +44 (0) 1634 226667 www.rakocontrols.com