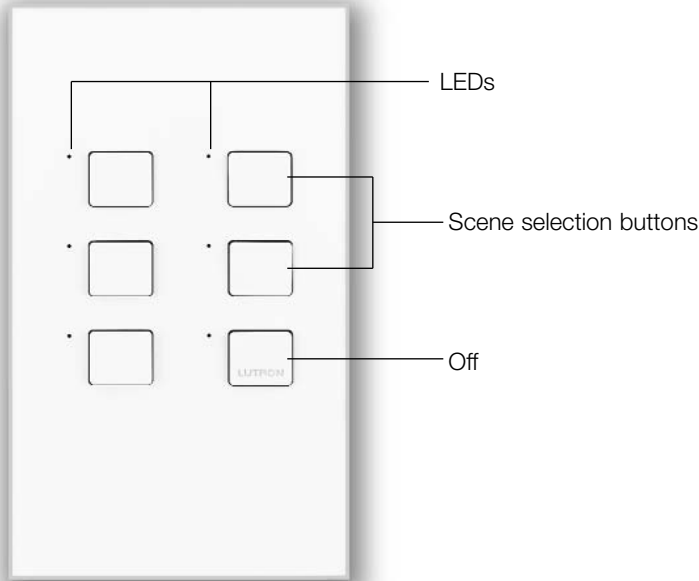


Color and Finish Codes

**NTGRX-LB6-\_\_-\_\_**  
**5-Scene with Off**  
**Large Button Wallstation**





**Description**

- Features easy to use large buttons.
- Mounts in a standard 1-gang U.S. wallbox.
- Allows user to select up to five scenes.
- Scene selection functionality can be selected in the field.
- Off button turns all lights off.
- Status LEDs indicate which scene is selected.
- Works with GRAFIK Eye 3000 and 4000 Series Control Units.
- Selects scenes in just one Control Unit or a group of up to eight Control Units.

**Finish and Engraving Options**

- Amber LEDs are standard. Green LEDs are available at an additional charge.
- Standard matte-finish plastic faceplates have matching buttons.
- Metal-finish faceplates have black buttons.
- Other button color combinations are available at an additional charge.
- Optional engraving on buttons is recommended for ease-of-use.

**Field Selected Functionality**

DIP Switch Settings	Scene selection buttons activate:
5 6	
	Scenes 1 to 5
	Scenes 9 to 13

<b>Job Name:</b>	<b>Model Numbers:</b>
<b>Job Number:</b>	

**Specifications - LB6**

**Power**

Low-voltage type Class 2 (PELV).  
Operating voltage: 12/24 V Direct Current.

**Key Design Features**

- Meets IEC 801-2. Tested to withstand 15kV electro-static discharge without damage or memory loss.
- Faceplate snaps on with no visible means of attachment.
- Can be ganged to share a common face plate with NovaT<sup>®</sup> and Vareo<sup>®</sup> Dimmers. Counts as a “small control” for ganging.

**System Communications and Capacity**

- Low-voltage type Class 2 (PELV) wiring connects Wallstations to Control Units and other components.
- Up to 8 Control Units and up to 16 total Wallstations and/or Control Interfaces may be linked for a total of 24 control points.

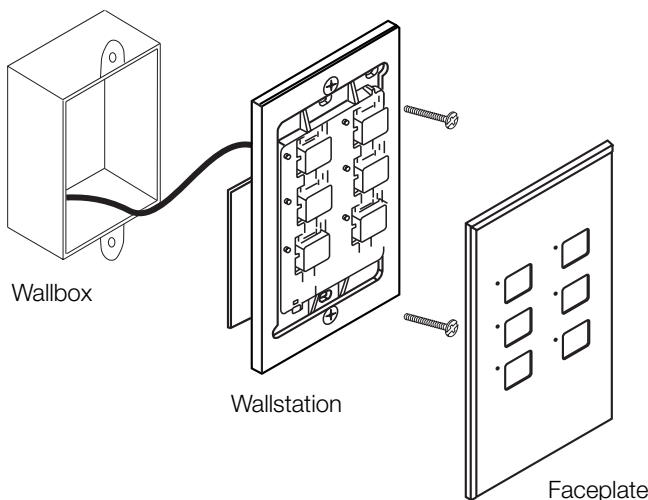
**Terminals**

Accept up to two #18 AWG (1.0mm<sup>2</sup>) typical.

**Environment**

32-104°F (0-40°C). Relative humidity less than 90% non-condensing.

**Mounting**



**Color and Finish Codes**

**Matte Finishes**

Standard – Ship in 48 hours

White	WH
Ivory	IV
Beige	BE
Gray	GR
Brown	BR
Black	BL

**Metal Finishes**

Ship in 4 to 6 weeks

Bright Brass	BB
Bright Chrome	BC
Bright Nickel	BN
Satin Brass	SB
Satin Chrome	SC
Satin Nickel	SN
Antique Brass	QB
Antique Bronze	QZ

**Anodized Aluminum Finishes**

Ship in 4 to 6 weeks

Clear	CLA
Black	BLA
Brass	BRA
Engraving	E

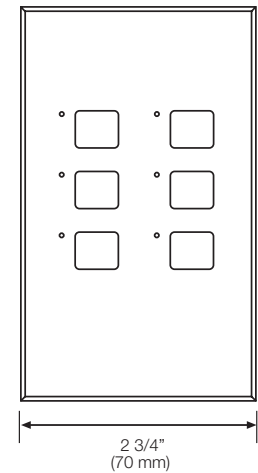
Also available:

- Custom Controls
- Color Matching

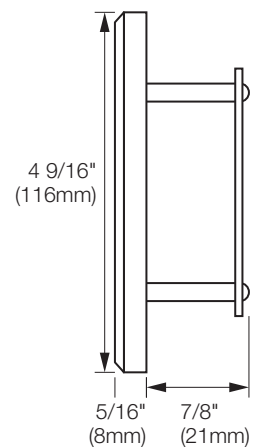
Ship in 4 to 6 weeks. Pricing may vary depending on finish.

**Dimensions**

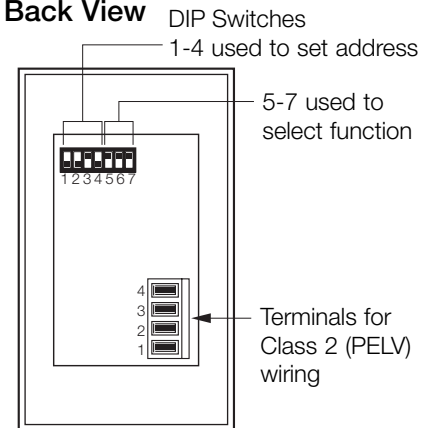
**Front View**



**Side View**



**Back View**



<b>Job Name:</b>	<b>Model Numbers:</b>
<b>Job Number:</b>	