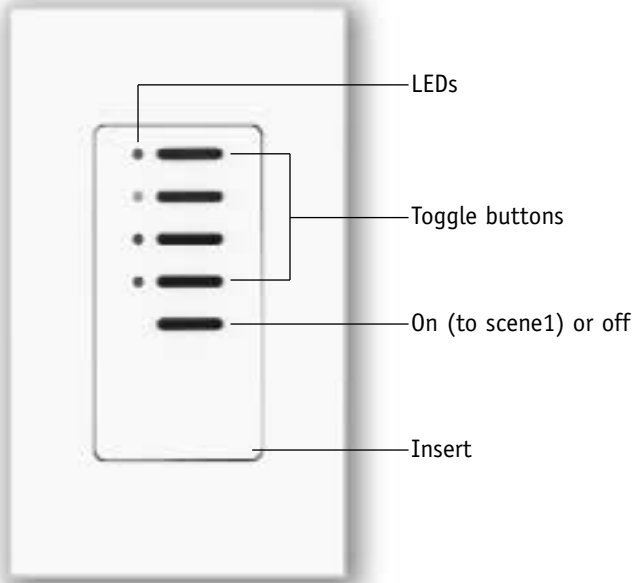


COLOR AND FINISH CODES

NTGRX-4M-__-__-__
Master Control



DESCRIPTION

Lets occupants control several different areas of GRAFIK Eye lighting from one master location. Each button can operate a different GRAFIK Eye Control Unit or group of Control Units.

- Four toggle buttons turn their associated Control Units on (to Scene 1) and off.
- Status LEDs light up to show which Control Units are on.
- The last button either turns all associated Control Units on (to scene 1) or off, depending on how you set DIP switches 5 and 6.



In a home, you might put a Master Control inside the main entry. The first button would turn on foyer lights, the second button would light a path to the kitchen, and so on.

The Master Control can work with a total of eight GRX-3000 or GRX-4000 Control Units. You can assign these Control Units to buttons in any combination.

SPECIAL "NO INSERT" FINISH

Available in a "no-insert" version for a sleeker look.

FUNCTIONS

DIP SWITCH SETTINGS	The last button does this:
5 6	
	Turns all associated Control Units on to scene 1.
	Turns all associated Control Units off.

JOB NAME:	MODEL NUMBERS:
JOB NUMBER:	

SPECIFICATIONS

Power

Operating voltage: Low-voltage type Class 2(PELV), 12VDC to 24VFW.

Key Design Features

- Meets IEC 801-2. Tested to withstand 15kV electrostatic discharge without damage or memory loss.
- Has faceplate that snaps on with no visible means of attachment.
- Can be ganged to share a common faceplate with NovaT☆ and Vareo Dimmers. For ganging, counts as a "small control."

System Communications and Capacity

- Low-voltage type Class 2 (PELV) wiring connects Wallstations to Control Units and other components.
- You can link up to 8 Control Units and up to 16 total Wallstations and/or Control Interfaces for a total of 24 control points.

Terminals

Capacity: Accept up to two #18 AWG (1.0mm²) typical.

Environment

32-104°F (0-40°C). Relative humidity less than 90% non-condensing.

COLOR AND FINISH CODES

Matte Finishes

Standard – Ships in 48 hours

- White **WH**
- Ivory **IV**
- Beige **BE**
- Gray **GR**
- Brown **BR**
- Black **BL**

Metal Finishes

Ships in 4 to 6 weeks

- Bright Brass **BB**
- Bright Chrome **BC**
- Bright Nickel **BN**
- Satin Brass **SB**
- Satin Chrome **SC**
- Satin Nickel **SN**
- Antique Brass **QB**
- Antique Bronze **QZ**

Anodized Aluminum

Ships in 4 to 6 weeks

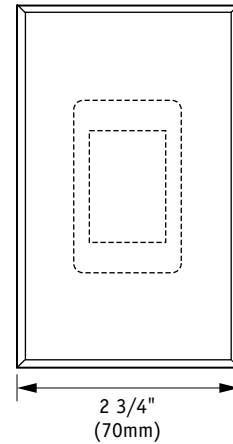
- Clear **CLA**
- Black **BLA**
- Brass **BRA**

- Engraving **E**
- No Insert **NI**

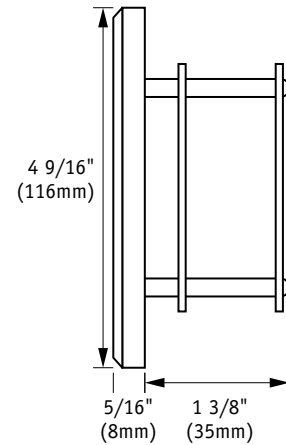
Custom Controls, color matching, and engraving available – Ships in 4 to 6 weeks. Pricing may vary depending on finishes.

DIMENSIONS

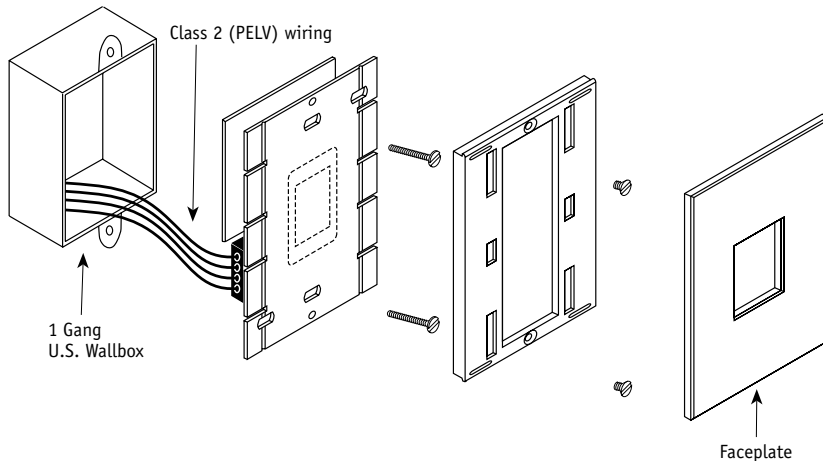
Front View



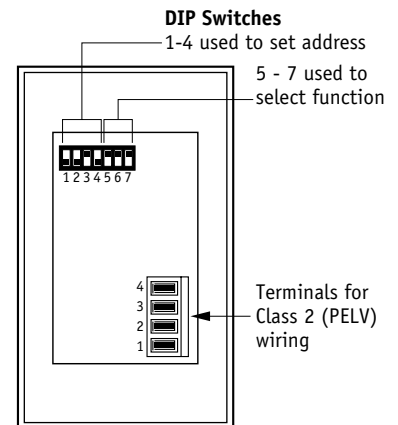
Side View



MOUNTING



Back View



JOB NAME:	MODEL NUMBERS:
JOB NUMBER:	

Wallstation Installation

DIP SWITCHES

- Set DIP switches 1-4 to give the Wallstation the unique system address from 1 to 16.
- Set additional DIP switches (if any) to specify function as shown on the first page of the Wallstation's Specification Submittal.

Address	DIP SWITCH SETTINGS			
	1	2	3	4
1				
2				
3				
4				
5				
6				
7				
8				
9				
10				
11				
12				
13				
14				
15				
16				

Reserved for GRX-PRG, if present on link.

LOW-VOLTAGE CLASS 2 (PELV) WIRING

- Use low-voltage Class 2 (PELV) wiring to daisy-chain Wallstations to Control Units and other components.
- Make connections inside the wallbox. Or in a switchbox or junction box with a maximum wire length of 8 feet (2.5m) from the link to the Wallstation.

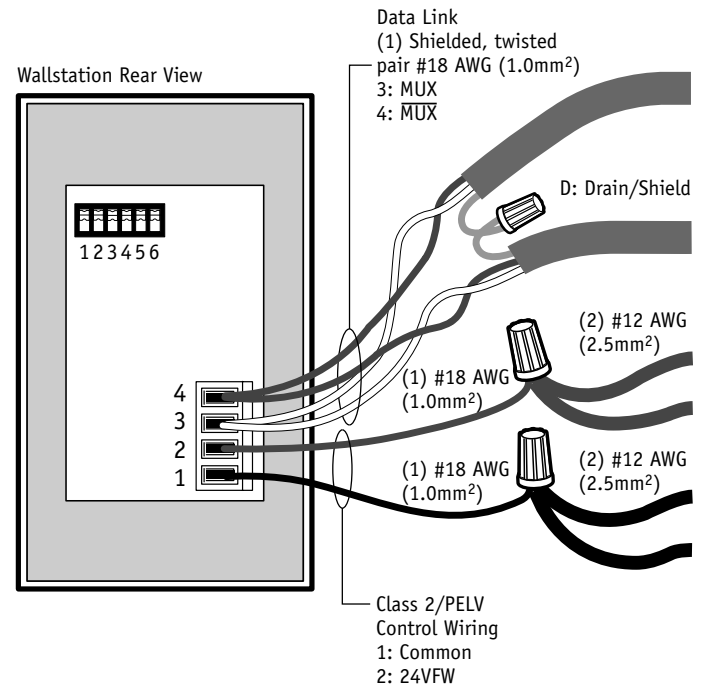
Note: EGRX Eurostyle Wallstations have a D terminal for Drain. You can connect the Drain/Shield at this terminal.

When used with GRX-3000 Control Units

- Two #18 AWG (1.0mm²) conductors for common (terminal 1) and 12VDC (terminal 2). Make sure you wire the the terminal 2 connection correctly. Refer to GRX-3000 Specification Submittal.
- One shielded, twisted pair #18 AWG (1.0mm²) for data link (terminals 3 and 4).

When used with GRX-4000 Control Units

- Two #12 AWG (2.5mm²) conductors for common (terminal 1) and 24VFW (terminal 2). These won't fit in terminals. Connect as shown.
- One shielded, twisted pair #18 AWG (1.0mm²) for data link (terminals 3 and 4).
- Connect Drain/Shield as shown.
 - Do not connect to Ground (Earth) or Wallstation.
 - Connect the bare drain wires and cut off the outside shield.



JOB NAME:	MODEL NUMBERS:
JOB NUMBER:	