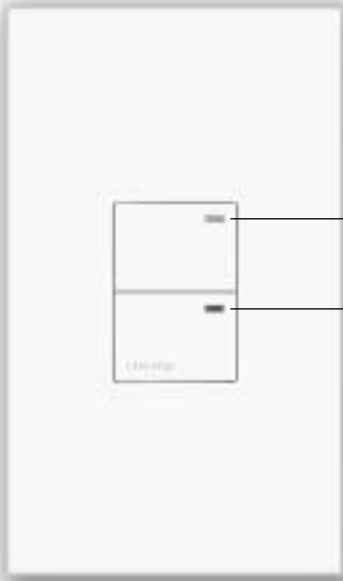


COLOR AND FINISH CODES

# NTGRX-2B-SL-\_\_-\_\_-\_\_ 2-Button Wallstation



Status LED

Status LED

**DESCRIPTION**

Often used in entryways, to turn lights on and off.

- Provides many different functions depending on how you set DIP switches 5, 6, and 7.
- Has status LEDs to show which button was pushed last.
- Works with GRX-3000 and GRX-4000 Control Units. Can be set up to invoke functions in just one Control Unit or group of up to eight Control Units.

**SPECIAL FINISH**

Available with stock engraving.

**FUNCTIONS**

	DIP SWITCH SETTINGS			Top button does this	Bottom button does this
	5	6	7		
Entrance Wallstation				Selects scene 1.	Turns lights off.
Scene Selection				Selects scene 9.	Selects scene 10.
				Selects scene 13.	Selects scene 14.
Panic Wallstation				Selects scene 16 (all lighting full on). Locks all other system controls.	Restores previous scene. Disables lockout.
Fine Tuning				Temporarily brightens selected zone(s).	Temporarily dims selected zone(s).
Single-Partition Status Wallstation				Control Units act in combination — movable wall is open to make one large space.	Control Units act independently — movable wall is closed to make two spaces.
Zone Lockout				Allows only temporary adjustments to zones. Adjustments won't affect preset scene settings.	Disables zone lockout.
Sequencing				Loops continuously through scenes 5 to 16 using fade times entered at Control Units.	Turns sequencing off.

<b>JOB NAME:</b>	<b>MODEL NUMBERS:</b>
<b>JOB NUMBER:</b>	

**SPECIFICATIONS**

**Power**

Operating voltage: Low-voltage type Class 2(PELV), 12VDC to 24VFW.

**Key Design Features**

- Meets IEC 801-2. Tested to withstand 15kV electrostatic discharge without damage or memory loss.
- Has faceplate that snaps on with no visible means of attachment.
- Can be ganged to share a common faceplate with NovaT☆ and Vareo Dimmers. For ganging, counts as a "small control."

**System Communications and Capacity**

- Low-voltage type Class 2 (PELV) wiring connects Wallstations to Control Units and other components.
- You can link up to 8 Control Units and up to 16 total Wallstations and/or Control Interfaces for a total of 24 control points.

**Terminals**

Capacity: Accept up to two #18 AWG (1.0mm<sup>2</sup>) typical.

**Environment**

32-104°F (0-40°C). Relative humidity less than 90% non-condensing.

**COLOR AND FINISH CODES**

**Matte Finishes**

Standard – Ships in 48 hours

- White **WH**
- Ivory **IV**
- Beige **BE**
- Gray **GR**
- Brown **BR**
- Black **BL**

**Metal Finishes**

Ships in 4 to 6 weeks

- Bright Brass **BB**
- Bright Chrome **BC**
- Bright Nickel **BN**
- Satin Brass **SB**
- Satin Chrome **SC**
- Satin Nickel **SN**
- Antique Brass **QB**
- Antique Bronze **QZ**

**Anodized Aluminum**

Ships in 4 to 6 weeks

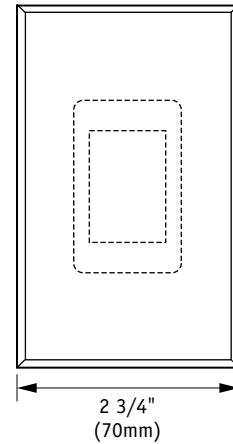
- Clear **CLA**
- Black **BLA**
- Brass **BRA**

- Engraving **E**
- No Insert **NI**

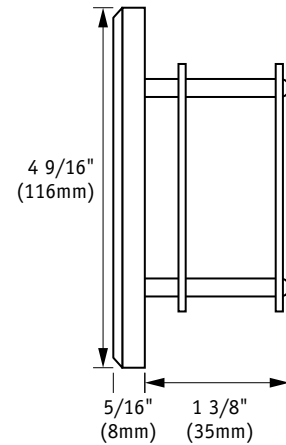
Custom Controls, color matching, and engraving available – Ships in 4 to 6 weeks. Pricing may vary depending on finishes.

**DIMENSIONS**

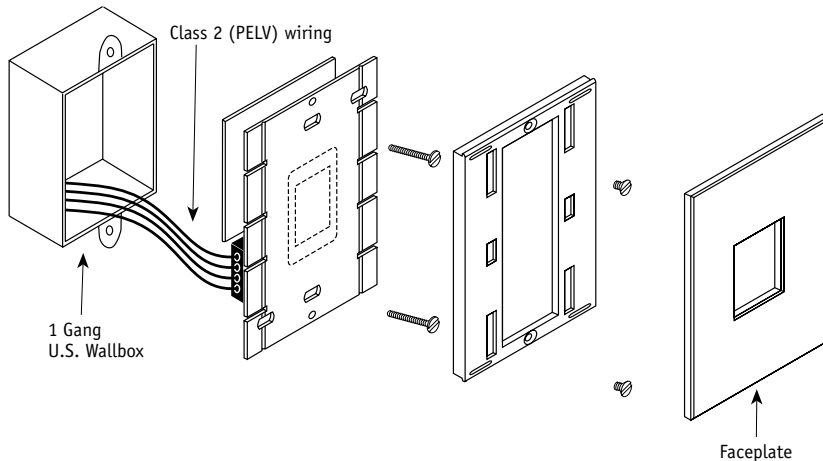
**Front View**



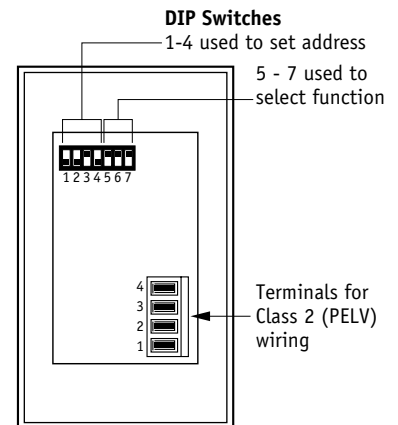
**Side View**



**MOUNTING**



**Back View**



JOB NAME:	MODEL NUMBERS:
JOB NUMBER:	

# Wallstation Installation

## DIP SWITCHES

- Set DIP switches 1-4 to give the Wallstation the unique system address from 1 to 16.
- Set additional DIP switches (if any) to specify function as shown on the first page of the Wallstation's Specification Submittal.

Address	DIP SWITCH SETTINGS			
	1	2	3	4
1				
2				
3				
4				
5				
6				
7				
8				
9				
10				
11				
12				
13				
14				
15				
16				

Reserved for GRX-PRG, if present on link.

## LOW-VOLTAGE CLASS 2 (PELV) WIRING

- Use low-voltage Class 2 (PELV) wiring to daisy-chain Wallstations to Control Units and other components.
- Make connections inside the wallbox. Or in a switchbox or junction box with a maximum wire length of 8 feet (2.5m) from the link to the Wallstation.

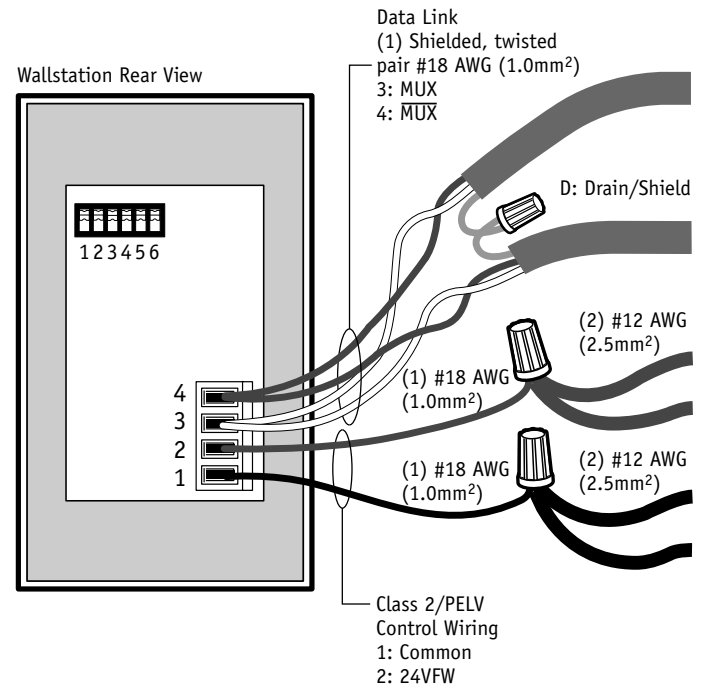
Note: EGRX Eurostyle Wallstations have a D terminal for Drain. You can connect the Drain/Shield at this terminal.

### When used with GRX-3000 Control Units

- Two #18 AWG (1.0mm<sup>2</sup>) conductors for common (terminal 1) and 12VDC (terminal 2). Make sure you wire the the terminal 2 connection correctly. Refer to GRX-3000 Specification Submittal.
- One shielded, twisted pair #18 AWG (1.0mm<sup>2</sup>) for data link (terminals 3 and 4).

### When used with GRX-4000 Control Units

- Two #12 AWG (2.5mm<sup>2</sup>) conductors for common (terminal 1) and 24VFW (terminal 2). These won't fit in terminals. Connect as shown.
- One shielded, twisted pair #18 AWG (1.0mm<sup>2</sup>) for data link (terminals 3 and 4).
- Connect Drain/Shield as shown.
  - Do not connect to Ground (Earth) or Wallstation.
  - Connect the bare drain wires and cut off the outside shield.



<b>JOB NAME:</b>	<b>MODEL NUMBERS:</b>
<b>JOB NUMBER:</b>	