

LUT-LBX / LUT-LBX-CE Synthetic Minimum Load



Description

- Provides capability for certain Lutron dimmers to control low-wattage loads from 0 watts up to the dimmer's minimum rating
- Presents a simulated load to the dimmer to meet the minimum load requirements even when the actual load is smaller.
- Works with forward phase or leading edge dimmers and reverse phase or trailing edge dimmers.
- Models available for 120 V \sim and 220-240 V \sim input power.
- This "load-side" equipment installs on the zone wiring in parallel with the lighting load.
- Dissipates a maximum of 10 watts when the controlling dimmer is near high-end.

Works with:

- *GRAFIK Eye* 3000® Series control units
- LP RPM Dimming Modules
- *HomeWorks*® RPM Dimming Modules
- *HomeWorks*® WPM Dimming Modules
- Neutral-referenced Lutron dimmers
- Two-wire Lutron dimmers

Available Models

Input Power	Model Number
120 V \sim	LUT-LBX-WH
220 - 240 V \sim	LUT-LBX-CE-WH

Job Name:	Model Numbers:
Job Number:	

Specifications

Input

- 100 mA 120 V \sim 50/60 Hz (LUT-LBX)
- 65 mA 220-240 V \sim 50/60 Hz (LUT-LBX-CE)
- Power dissipation less than 10 watts

Sources/Load Types*

Operates these sources when wired in parallel with the load:

- Incandescent (Tungsten)
- Halogen
- Magnetic Low-Voltage Transformer
- Electronic Low-Voltage Transformer
- Lutron Tu-Wire™ Electronic Fluorescent Dimming Ballast (LUT-LBX model only)
- Neon/Cold Cathode
- LED lighting (refer to Application Note #138 for further details)

Terminals

Accepts up to two #12 AWG (2.5 mm²) wires.

Environment

32 - 104 °F (0 - 40 °C). Relative humidity less than 90% non-condensing.

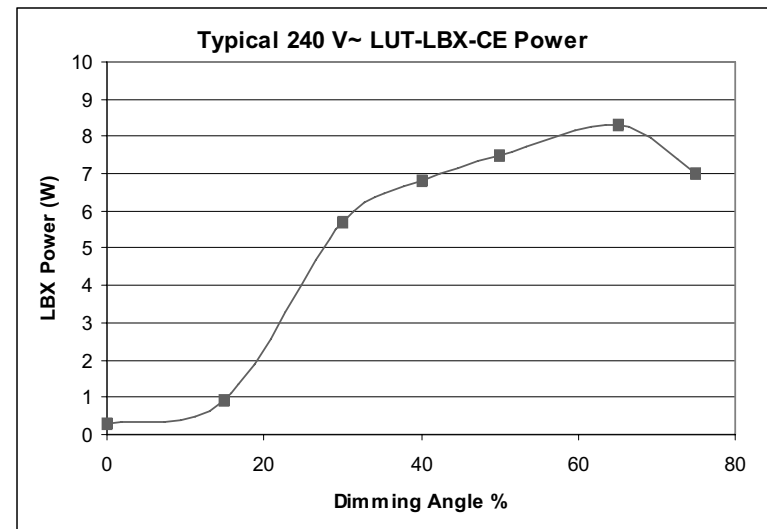
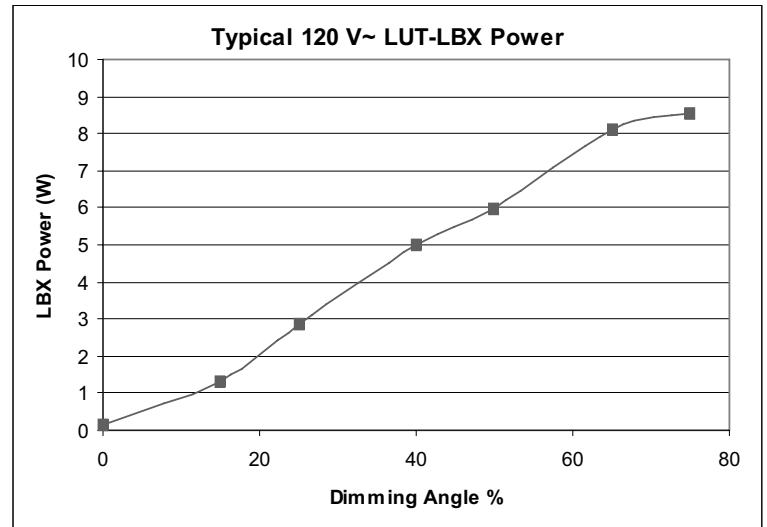
Mounting

Surface or recess mount indoors only.

EMC Immunity

- Surge protection up to 6 kV, 3000 A, IEEE std. C62.41
- ESD protection up to 16 kV

* The dimmer must be rated for the load type being used. The LUT-LBX does not change the approved load types of the dimmer, just the minimum load requirement. For example, MLV loads must still be used with MLV dimmers.



Job Name:

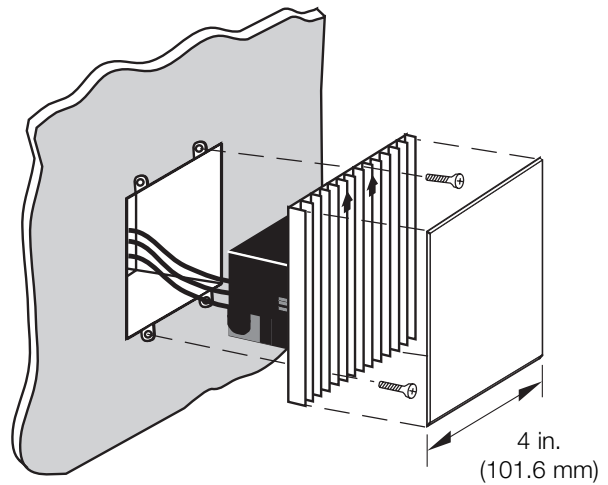
Model Numbers:

Job Number:

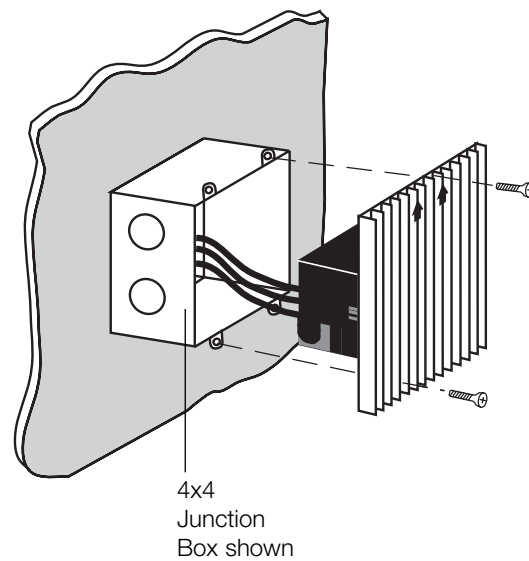
Dimensions And Mounting

- LUT-LBX - Recess or surface mount in 2-gang U.S. wallbox (available from Lutron P/N 241-496) 3.5 inches (89 mm) deep. Indoors only.
- LUT-LBX-CE - Recess or surface mount in provided 4x4 junction box (Lutron P/N 241-496) 3.5 inches (89 mm) deep. Indoors only.
- This device generates heat; mount only where ambient temperature is 32 - 104 °F (0 - 40 °C).
- Mount with arrows on yoke facing up to ensure adequate cooling.
- Allow 4.5 inches (114 mm) above and below unit and between faceplates when mounting several in a vertical layout.
- For better heat dissipation, surface mount without faceplate.
- Mount so line (mains) voltage wiring is at least 6 feet (1.8 m) from sound or electronic equipment and wiring.
- Mount Interface within 7° of true vertical.

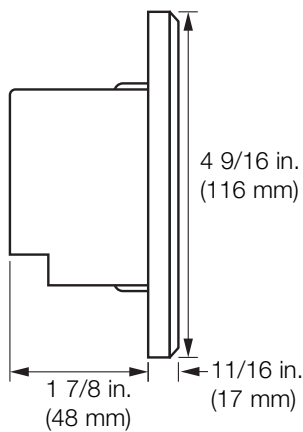
Recess Mount with Faceplate



Surface Mount without Faceplate



Side View



Job Name:

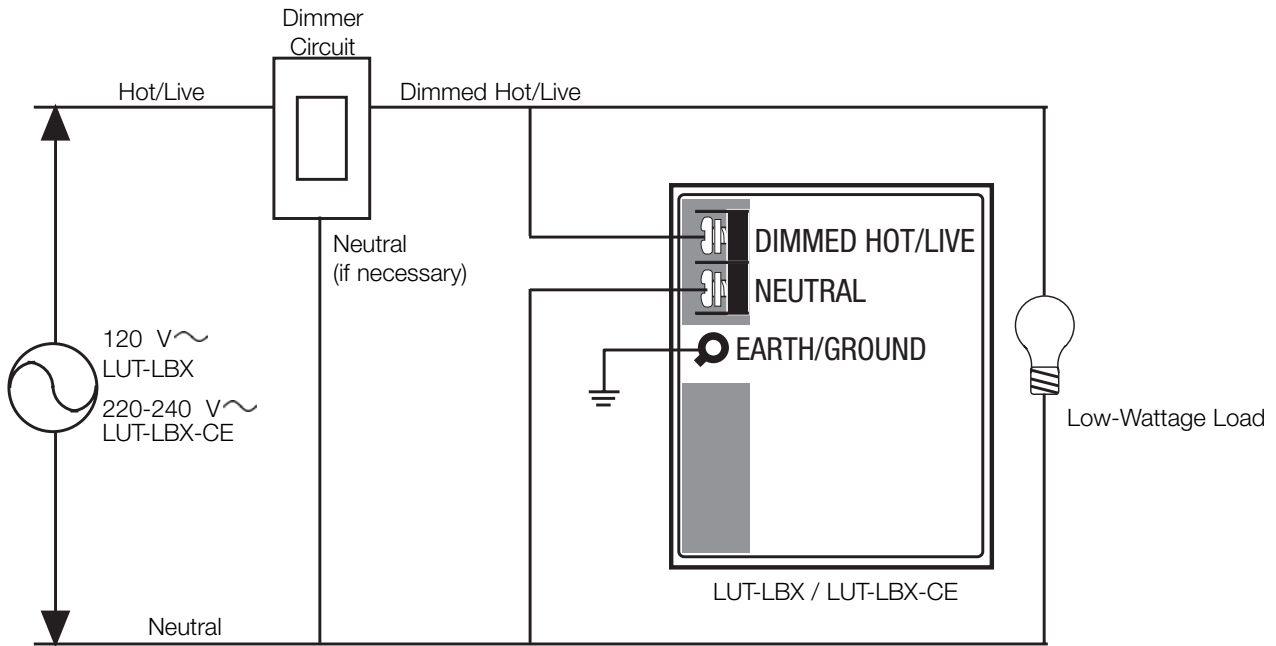
Model Numbers:

Job Number:

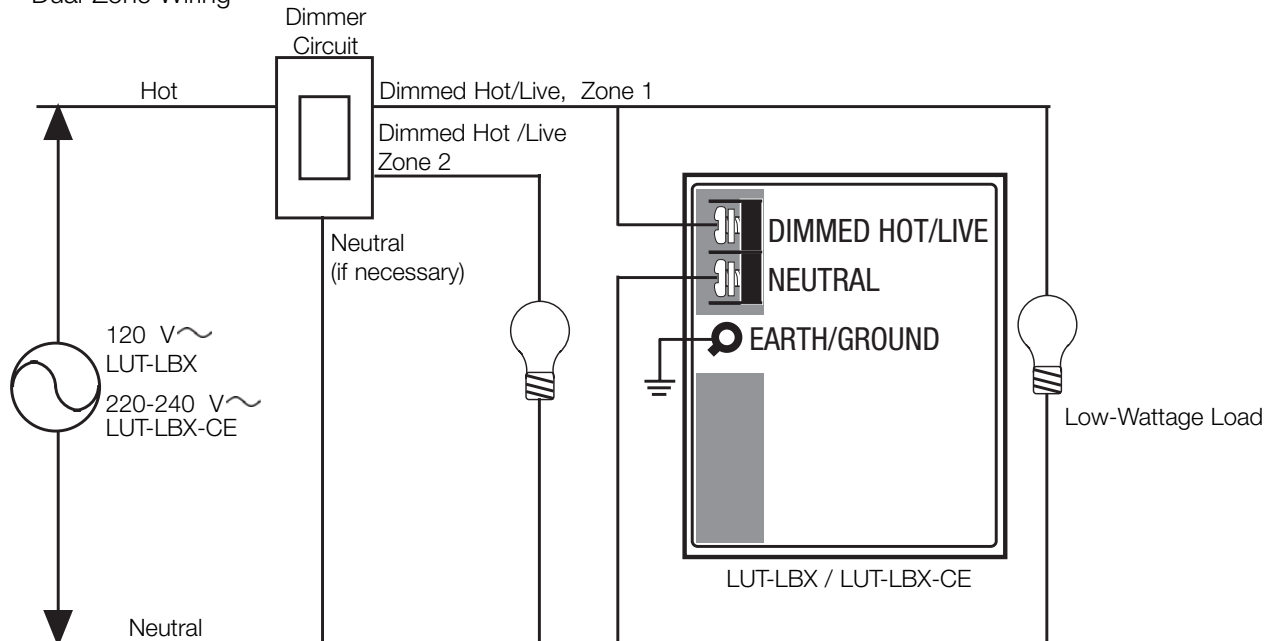
Wiring

- Pull #12 to #16 AWG (2.5 - 1.0 mm²) Copper (Cu) wires (75 °C minimum) for input power and load circuit.
- Strip 1/2 inch (12 mm) insulation from wires before connecting.

Single-Zone Wiring



Dual-Zone Wiring



Job Name:	Model Numbers:
Job Number:	