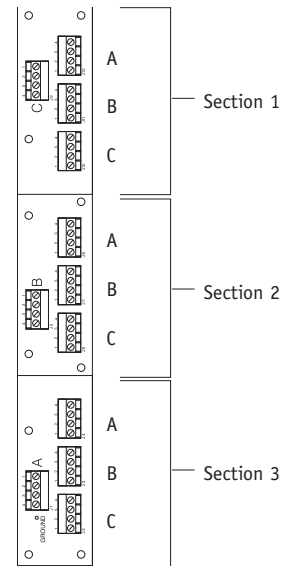


# Wire Landing Board

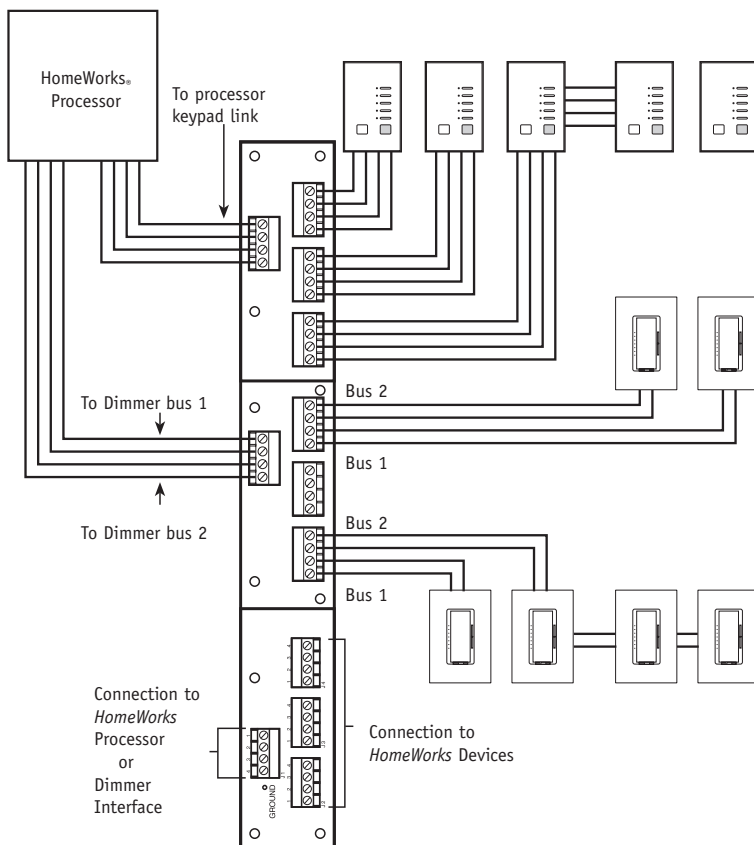
**WIRE LANDING BOARD**  
**(MODEL HWI-WLB)**

The Wire Landing Board is a wiring aid to help with wiring of keypads and Maestro® dimmers. Wire Landing Boards are installed in low-voltage enclosures.



**Wire Landing Board**  
**(HWI-WLB)**

Each section combines three input connectors A, B, C into one output connector.



**Figure 1 – wiring diagram**