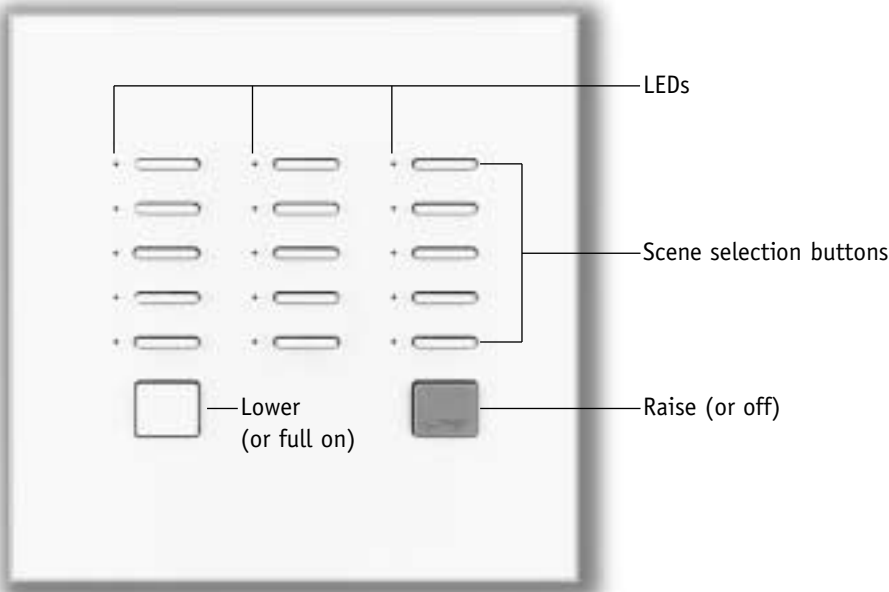


GRX-KP15-__-__ 15-Button Scene Selection Control with Slim Buttons



DESCRIPTION

Provides access to up to fifteen scenes. Mounts in standard 2 gang U.S. wallbox.

- 15 slim buttons select scenes.
- Status LEDs show selected scene.
- Two large buttons dim and brighten selected scene or turn lights full on and off (depending on how you set DIP switches 5 and 6).


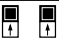
Works with GRX-3000 and GRX-4000 Control Units. Can be set up to select scenes in just one Control Unit or a group of up to eight Control Units.

Requires an additional two weeks for delivery.

SPECIAL COLORS AND ENGRAVING

- Amber LEDs standard. Green available at an additional charge.
- White, ivory, and beige matte-finish faceplates have white buttons.
- Grey, brown, and black matte-finish faceplates have black buttons.
- Other button color combinations available at an additional charge.
- Optional engraving on buttons recommended for ease-of-use.

FUNCTIONS

DIP SWITCH SETTINGS	15 slim buttons select scenes:	2 large buttons do this:
5 6		
	1 to 14 and off	Lower and raise selected scene
	1 to 15	Turn lights full on (to scene 16) and off

JOB NAME:	MODEL NUMBERS:
JOB NUMBER:	

SPECIFICATIONS

Power

Operating voltage: Low-voltage type Class 2 (PELV), 12VDC to 24VFW.

Key Design Features

- Meets IEC 801-2. Tested to withstand 15kV electrostatic discharge without damage or memory loss.
- Has faceplate that snaps on with no visible means of attachment.
- Can be ganged to share a common faceplate with NovaT☆ and Vareo Dimmers. For gang-ing, counts as a "small control."

System Communications and Capacity

- Low-voltage type Class 2 (PELV) wiring connects NTGRX-2B-SL to Control Units and other components.
- You can link up to 8 Control Units and up to 16 total Wallstations and/or Control Interfaces for a total of 24 control points.

Terminals

Capacity: Accept up to two #18 AWG (1.0mm²) typical.

Environment

32-104°F (0-40°C). Relative humidity less than 90% non-condensing.

COLOR AND FINISH CODES

Matte Finishes

Standard – Ships in 48 hours

- White **WH**
- Ivory **IV**
- Beige **BE**
- Gray **GR**
- Brown **BR**
- Black **BL**

Metal Finishes

Ships in 4 to 6 weeks

- Bright Brass **BB**
- Bright Chrome **BC**
- Bright Nickel **BN**
- Satin Brass **SB**
- Satin Chrome **SC**
- Satin Nickel **SN**
- Antique Brass **QB**
- Antique Bronze **QZ**

Anodized Aluminum

Ships in 4 to 6 weeks

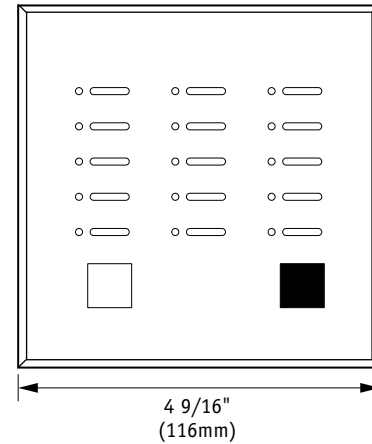
- Clear **CLA**
- Black **BLA**
- Brass **BRA**

Engraving E

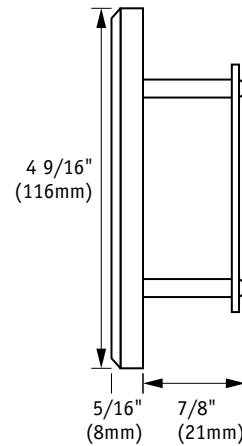
Custom Controls, color matching, and engraving available – Ships in 4 to 6 weeks. Pricing may vary depending on finish.

DIMENSIONS

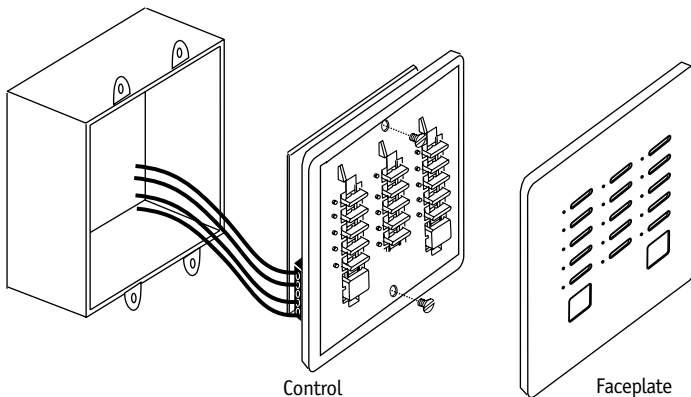
Front View



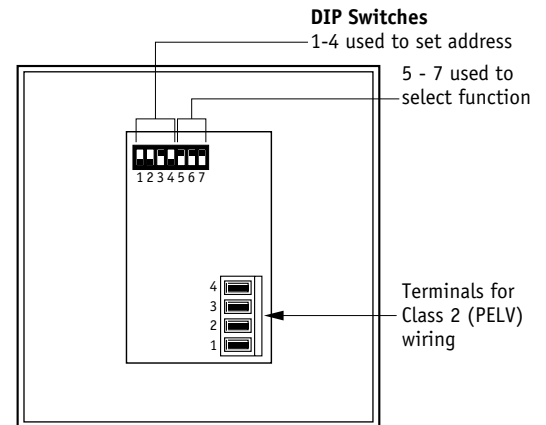
Side View



MOUNTING



Back View



<p>JOB NAME:</p>	<p>MODEL NUMBERS:</p>
<p>JOB NUMBER:</p>	

Wallstation Installation

DIP SWITCHES

- Set DIP switches 1-4 to give the Wallstation the unique system address from 1 to 16.
- Set additional DIP switches (if any) to specify function as shown on the first page of the Wallstation's Specification Submittal.

Address	DIP SWITCH SETTINGS			
	1	2	3	4
1				
2				
3				
4				
5				
6				
7				
8				
9				
10				
11				
12				
13				
14				
15				
16				

Reserved for GRX-PRG, if present on link.

LOW-VOLTAGE CLASS 2 (PELV) WIRING

- Use low-voltage Class 2 (PELV) wiring to daisy-chain Wallstations to Control Units and other components.
- Make connections inside the wallbox. Or in a switchbox or junction box with a maximum wire length of 8 feet (2.5m) from the link to the Wallstation.

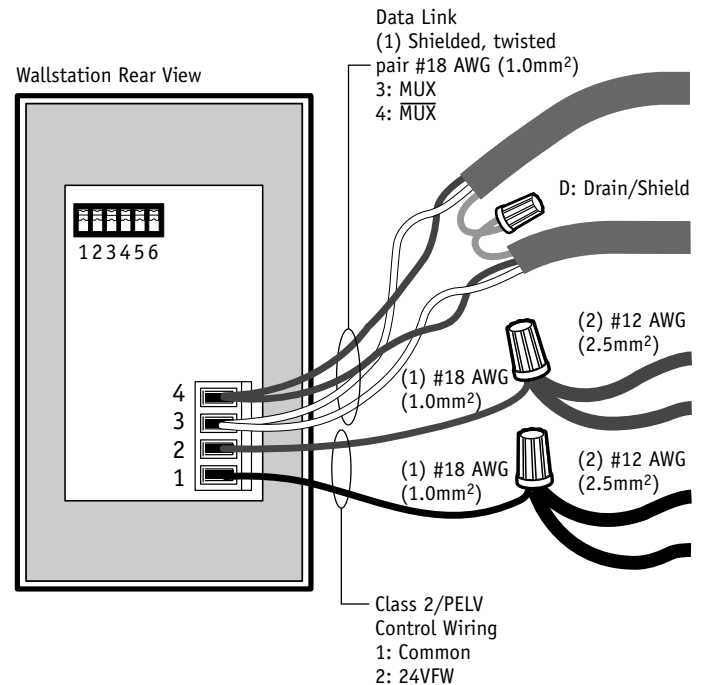
Note: EGRX Eurostyle Wallstations have a D terminal for Drain. You can connect the Drain/Shield at this terminal.

When used with GRX-3000 Control Units

- Two #18 AWG (1.0mm²) conductors for common (terminal 1) and 12VDC (terminal 2). Make sure you wire the the terminal 2 connection correctly. Refer to GRX-3000 Specification Submittal.
- One shielded, twisted pair #18 AWG (1.0mm²) for data link (terminals 3 and 4).

When used with GRX-4000 Control Units

- Two #12 AWG (2.5mm²) conductors for common (terminal 1) and 24VFW (terminal 2). These won't fit in terminals. Connect as shown.
- One shielded, twisted pair #18 AWG (1.0mm²) for data link (terminals 3 and 4).
- Connect Drain/Shield as shown.
 - Do not connect to Ground (Earth) or Wallstation.
 - Connect the bare drain wires and cut off the outside shield.



JOB NAME:	MODEL NUMBERS:
JOB NUMBER:	