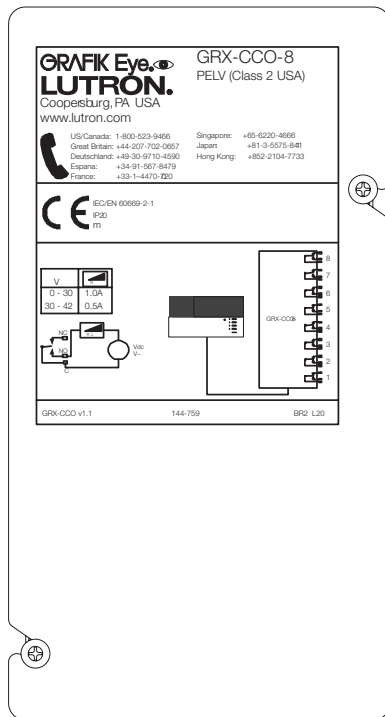


**GRX-CCO-8**

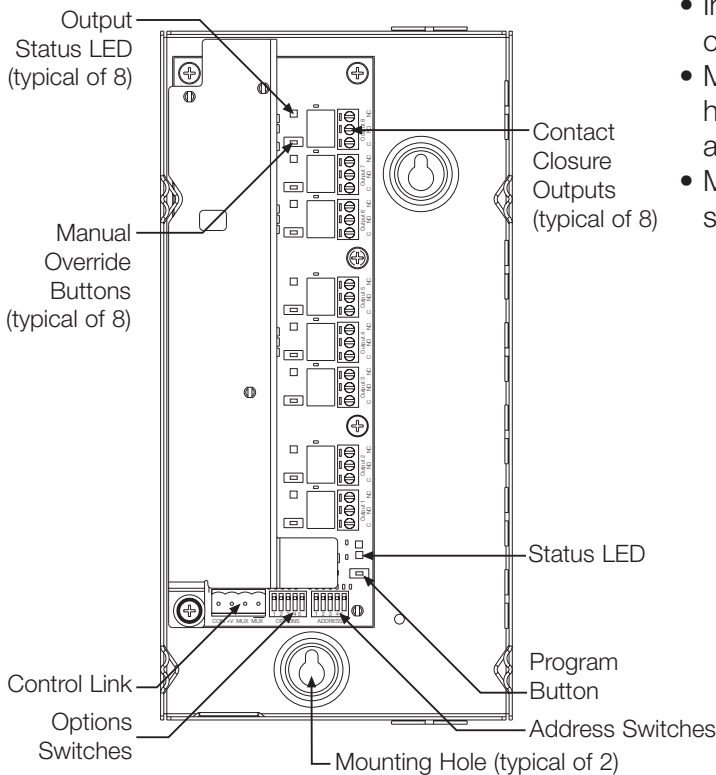


**Description**

- Integrates control of third party motorized window treatments or A/V equipment with GRAFIK Eye 3500 and 4500 Series Control Units.
- The GRX-CCO-8 provides eight dry contact closure outputs.
- Control equipment through GRAFIK Eye Control Unit scenes or GRAFIK Eye Control Unit zones.
- Scene Control: A single GRX-CCO-8 output is closed when its corresponding GRAFIK Eye Control Unit scene is selected.
- Zone Control: Outputs are assigned to GRAFIK Eye Control Unit zones and opened or closed based on the zone intensity.

**Features**

- The GRX-CCO-8 provides both normally open (NO) and normally closed (NC) contacts.
- The GRX-CCO-8 may be set to momentary or maintained outputs.
- In Scene Control, the outputs may be associated with different GRAFIK Eye Control Unit scene ranges. Example: GRX-CCO-8 outputs may be associated with GRAFIK Eye Control Unit scenes 1-8.
- In Zone Control, the outputs may be set as individual outputs or motorized window treatment channels.
- Motorized window treatment channels may be set to have OPEN and CLOSE outputs or OPEN, STOP, and CLOSE outputs.
- Manual override buttons allow the testing of the system.



<b>Job Name:</b>	<b>Model Numbers:</b>
<b>Job Number:</b>	

## Specifications

### Power

Class 2 (PELV)

Operating voltage: 12/24 VDC

### System Communications


- Class 2 (PELV) wiring connects GRX-CCO-8 to GRAFIK Eye Control Units and other components.
- GRX-CCO-8 occupies one of eight Shade Control addresses on the GRAFIK Eye Control Link.
- Works with both GRAFIK Eye 3000 and GRAFIK Eye 4000 Series Control Units.

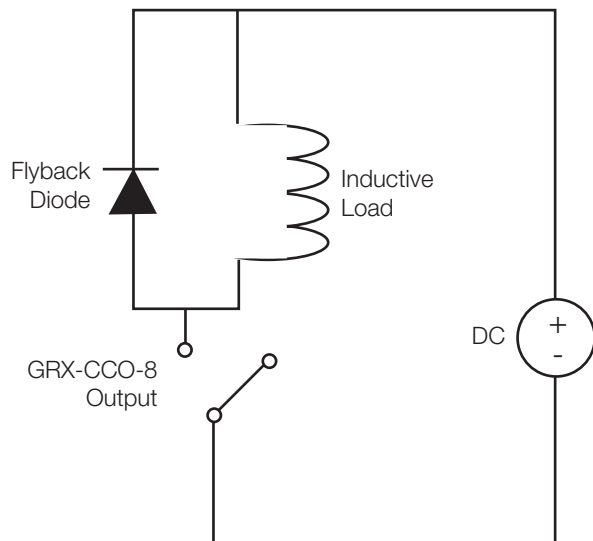
### Environment

- 32°F (0°C) to 104°F (40°C)
- Relative humidity less than 90%, non-condensing.

### Output Ratings

Note: The GRX-CCO-8 is not rated to control unclamped, inductive loads. Inductive loads include, but are not limited to, relays, solenoids, and motors. To control these types of equipment, a flyback diode must be used (DC voltages only). See diagram below.

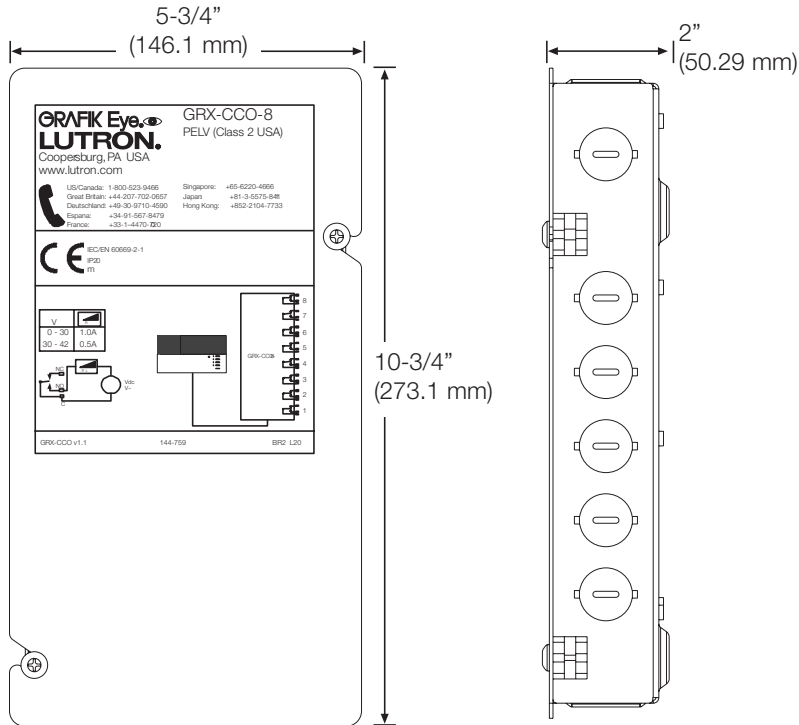
Supply Voltage	Resistive Load 
0-30 V	1.0 A
30-42 V	0.5 A



<b>Job Name:</b>	<b>Model Numbers:</b>
<b>Job Number:</b>	

## Dimensions and Mounting

- Mount the GRX-CCO-8 on a clean, dry surface.
- Allow 4.5" (114 mm) between the GRX-CCO-8 and other equipment/walls.
- Internal relays will click while in operation. Mount where this is acceptable.
- Mount in a location that is accessible for system programming and setup.



<p><b>Job Name:</b></p>	<p><b>Model Numbers:</b></p>
<p><b>Job Number:</b></p>	

## Operating Modes - Zone Control

### Motorized Window Treatment Channels

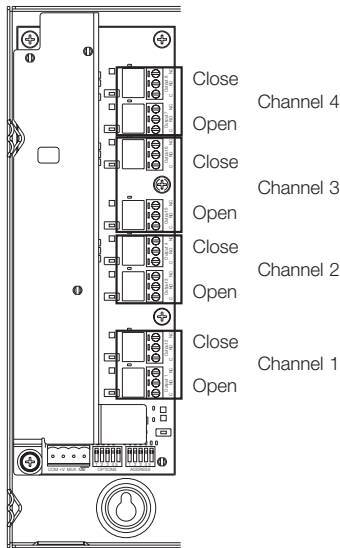
#### Applications

- Integrate the control of motorized window treatments with a GRAFIK Eye Control Unit in existing applications (retrofit).
- Integrate the control of motorized window treatments with a GRAFIK Eye Control Unit when third party motor controllers are used.

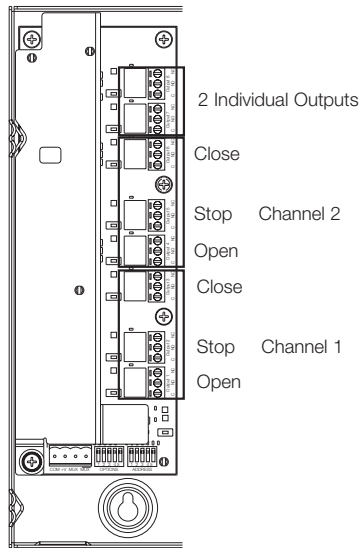
#### Operation

- Two or three outputs are grouped together to form a Motorized Window Treatment (MWT) channel. These outputs provide the OPEN, STOP, and CLOSE signals to control third party motor controllers (see diagram below).
- Motorized window treatment channels are controlled by zones on a GRAFIK Eye Control Unit. A MWT channel may be controlled by any one zone on any GRAFIK Eye Control Unit in the system. Make sure the load type of the zone is set to AC Shades.
- The method in which the GRX-CCO-8 stops motorized window treatments is selectable to accommodate different types of motor controllers.
  - Pulse the OPEN and CLOSE outputs simultaneously.
  - Pulse the most recent output again.
  - Pulse a dedicated STOP output (Uses three outputs per channel. In this configuration, the GRX-CCO-8 may have a maximum of 2 MWT channels).
- Set the number of MWT channels from 0 to 4 to fit your application.
- Outputs not used in MWT channels may be used as individual outputs. Example: If there are two MWT channels, and there are three outputs per MWT channel, there will be two outputs left over to be used as individual outputs.
- Outputs may be set as momentary or maintained.

2 Outputs per Channel

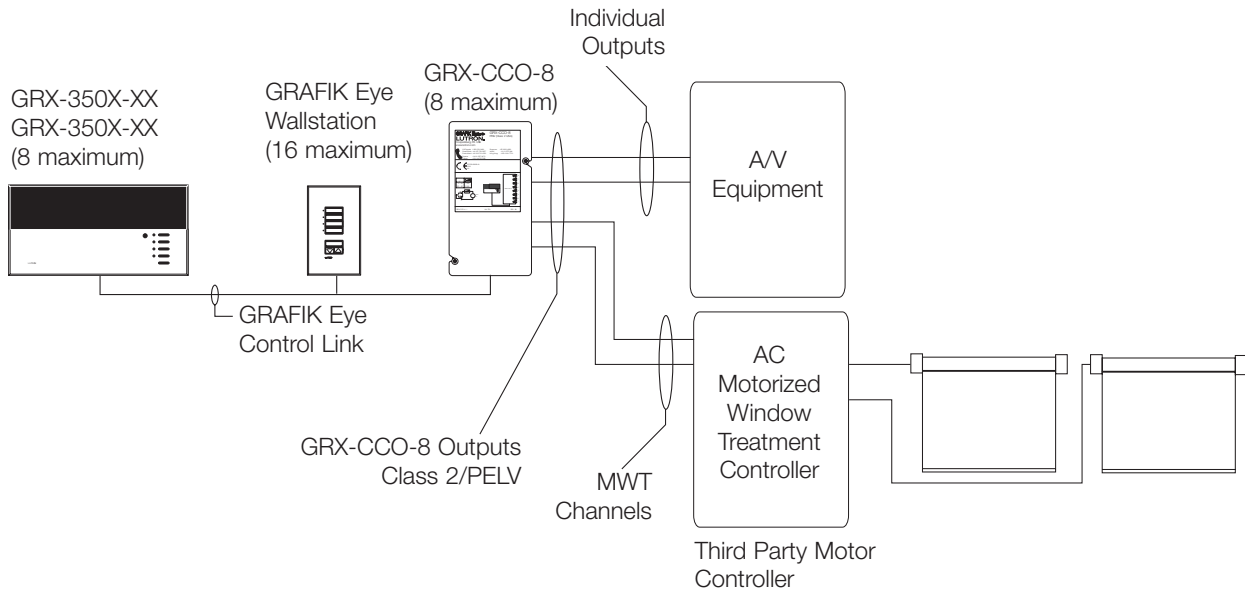


3 Outputs per Channel



<b>Job Name:</b>	<b>Model Numbers:</b>
<b>Job Number:</b>	

System Diagram - Motorized Window Treatment Control



Job Name:	Model Numbers:
Job Number:	

## Operating Modes - Zone Control

### Individual Outputs

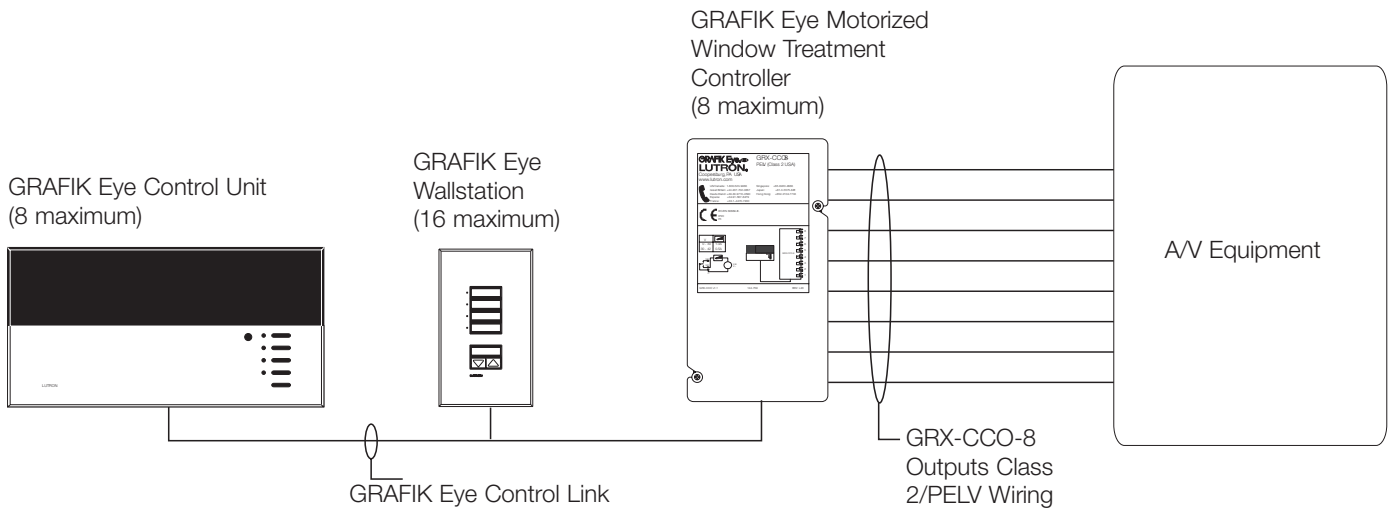
#### Applications

- Control A/V or other equipment with a zone on a GRAFIK Eye Control Unit.
- Provide GRAFIK Eye Control Unit zone status feedback to third party systems.

#### Operation

- Outputs are controlled by zones on a GRAFIK Eye Control Unit. An output may be controlled by any one zone on any GRAFIK Eye Control Unit in the system.
- The load type of the GRAFIK Eye Control Unit zone may be any load type other than AC Shades or Sivoia Shades.
- The GRX-CCO-8 output is opened or closed based on the intensity of the GRAFIK Eye Control Unit zone that controls it.
  - A zone intensity greater than zero closes the relay.
  - A zone intensity of zero opens the relay.

### System Diagram - Individual Outputs



<p><b>Job Name:</b></p>	<p><b>Model Numbers:</b></p>
<p><b>Job Number:</b></p>	

## Operating Modes—Scene Control

### Applications

- Provide feedback to third party systems as to which scene the GRAFIK Eye system is in.
- Control A/V or other equipment through GRAFIK Eye Control Unit scenes.

### Operation

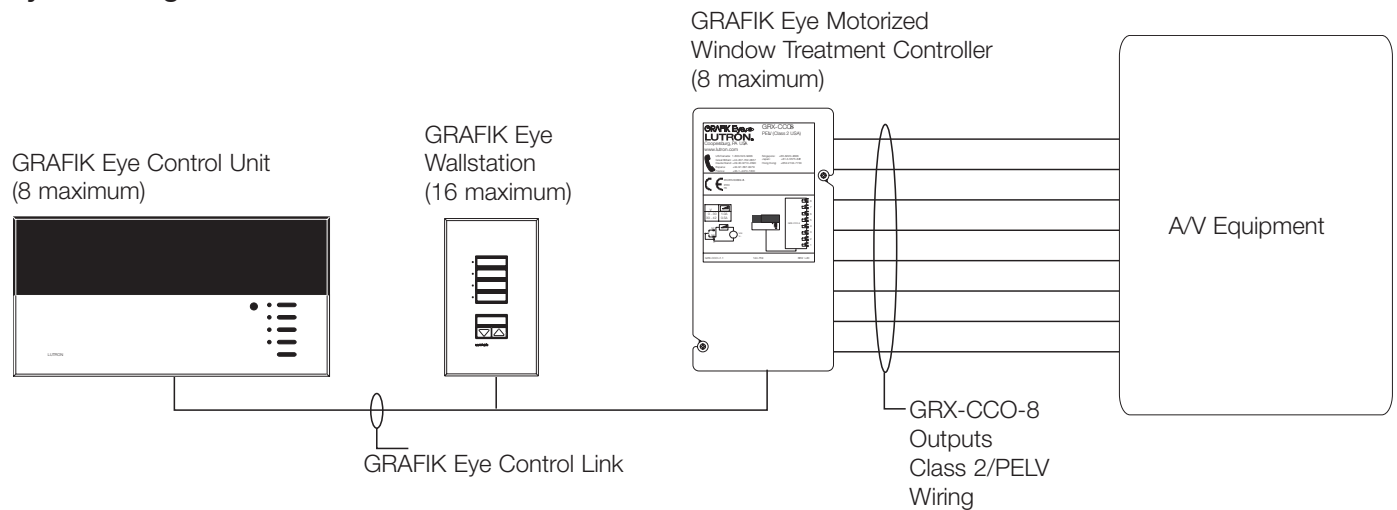
- A single output is closed when its corresponding GRAFIK Eye Control Unit scene is selected.
- Only one output may be closed at any given time.
- The GRX-CCO-8 outputs may be set to momentary or maintained.
- A momentary output is closed for 1/2 second.
- A maintained output is closed while its corresponding GRAFIK Eye Control Unit scene is selected.

### Scene Ranges

- The GRX-CCO-8 outputs (1-8) may be associated with one of the following GRAFIK Eye Control Unit scene ranges, respectively:

Output	Scene Range
1-8	1-7, Off
5-12	5-11, Off
9-16	9-15, Off
13-16, 1-4	13-16, Off, 1-4

### System Diagram - Scene Control



<b>Job Name:</b>	<b>Model Numbers:</b>
<b>Job Number:</b>	