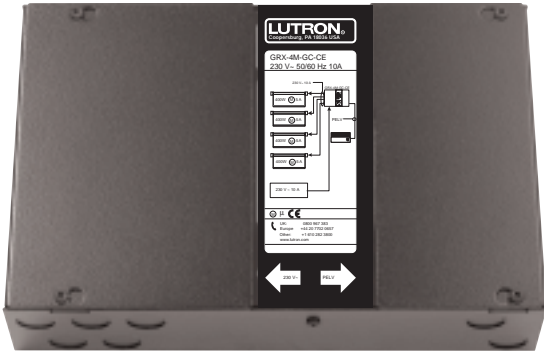


## GRX-4M-GC-CE AC Motor Group Controller



### Description

- For use with GRAFIK Eye 3500 and 4500 Series Control Units.
- 4-channel AC motor controller that integrates seamlessly with GRAFIK Eye 3000 and 4000 lighting control systems. Wires directly into GRAFIK Eye communication link with no external interfaces.
- Provides capability to incorporate AC motorized window treatments or projection screens into lighting scenes.
- Can control AC motorized window treatments independently of lighting scenes.
- Provides dry contact closure inputs for control by low voltage, dry contact closure devices.
- Up to 8 Group Controllers may be connected to the GRAFIK Eye control link. These units are in addition to the 8 control units and 16 accessory controls that may be connected on the link.

Job Name:	Model Numbers:
Job Number:	

## Specifications

### Power

- 220-240 V~, 50/60 Hz.
- 10A total input current.

### Channel Capacity

- 5A, 400W motor load per channel.
- Do not wire motors in parallel.

### Key Design Features

- Wires directly into the GRAFIK Eye control link. No interfaces required.
- Provides Open, Close, and Stop terminals for contact closure inputs.
- Accepts either momentary or maintained contact closure inputs, configurable by a DIP switch.
- Change motor direction without rewiring by setting a switch.
- Stop function may also be accomplished by applying Open and Close inputs simultaneously.
- Provides local override buttons that activate motor outputs to test the system.
- Provides LED indication of last position of AC window treatments (Open, Close, Stop).
- Metal enclosure provides separate wiring compartments for line voltage and low voltage.

### Physical Design

- Wall mounted. Indoor use only.
- Weight: 6.7 lbs., 3.05 kg.

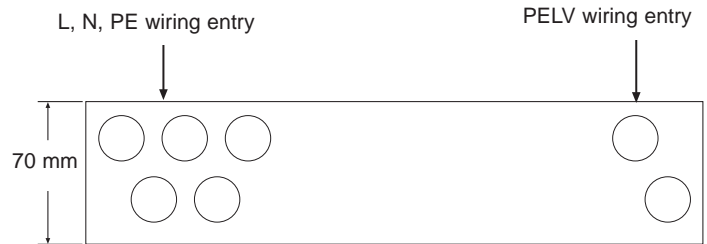
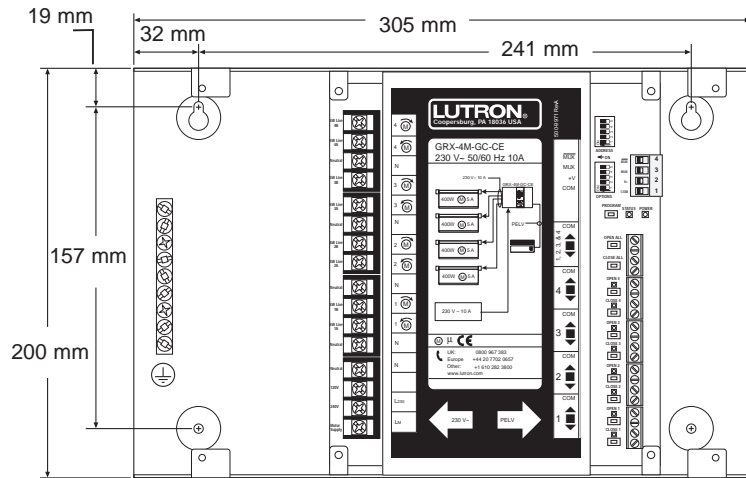
### Environment

- 0°C to 40°C ambient operating temperature.
- Less than 90% relative humidity, non-condensing

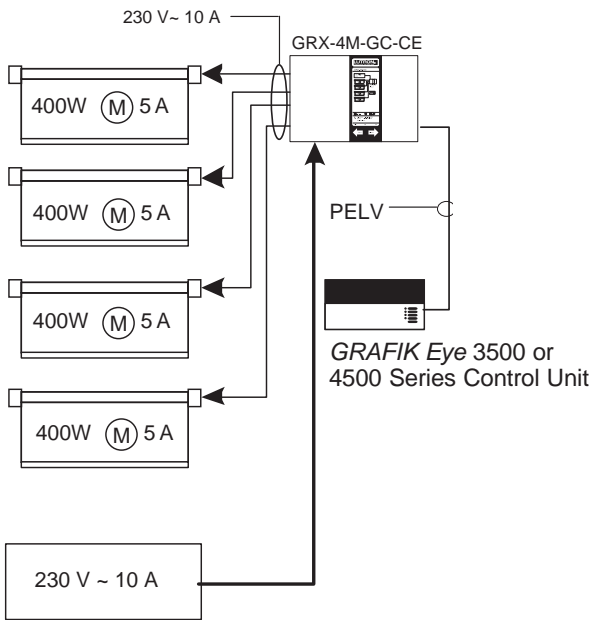
Job Name:	Model Numbers:
Job Number:	

### Dimensions and Mounting

- The Group Controller's relays will click in normal use. Mount where this is acceptable.
- Mount unit in a location that is accessible to allow for system programming and setup.

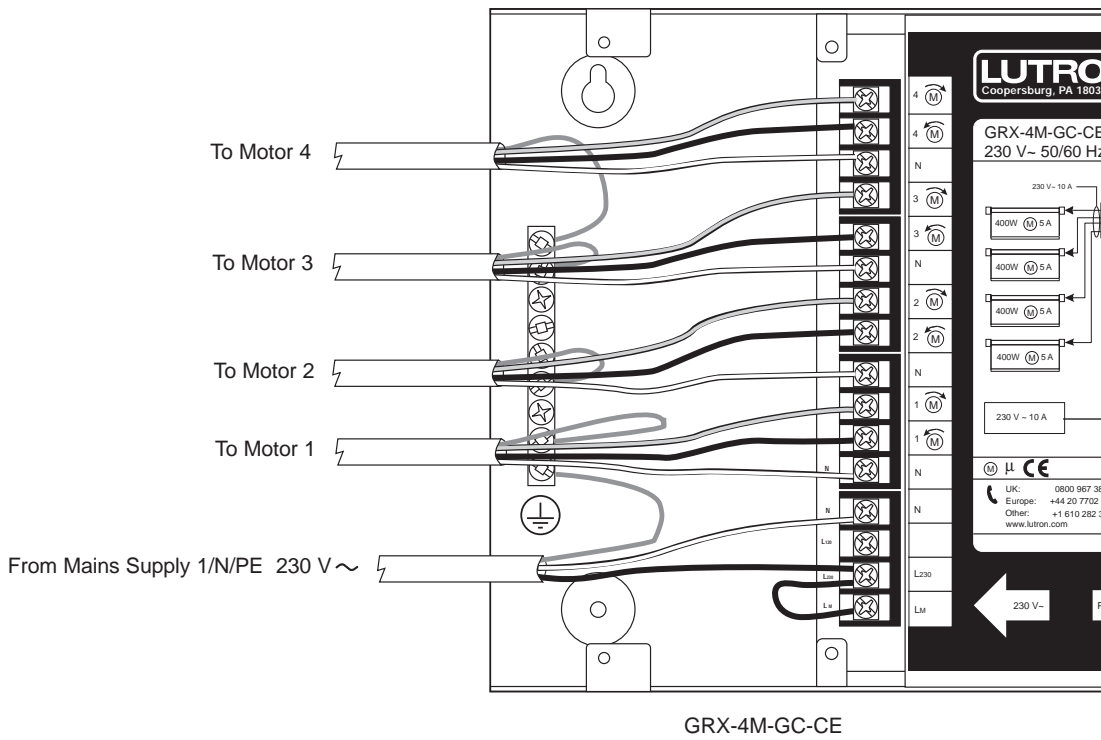


### System Diagram



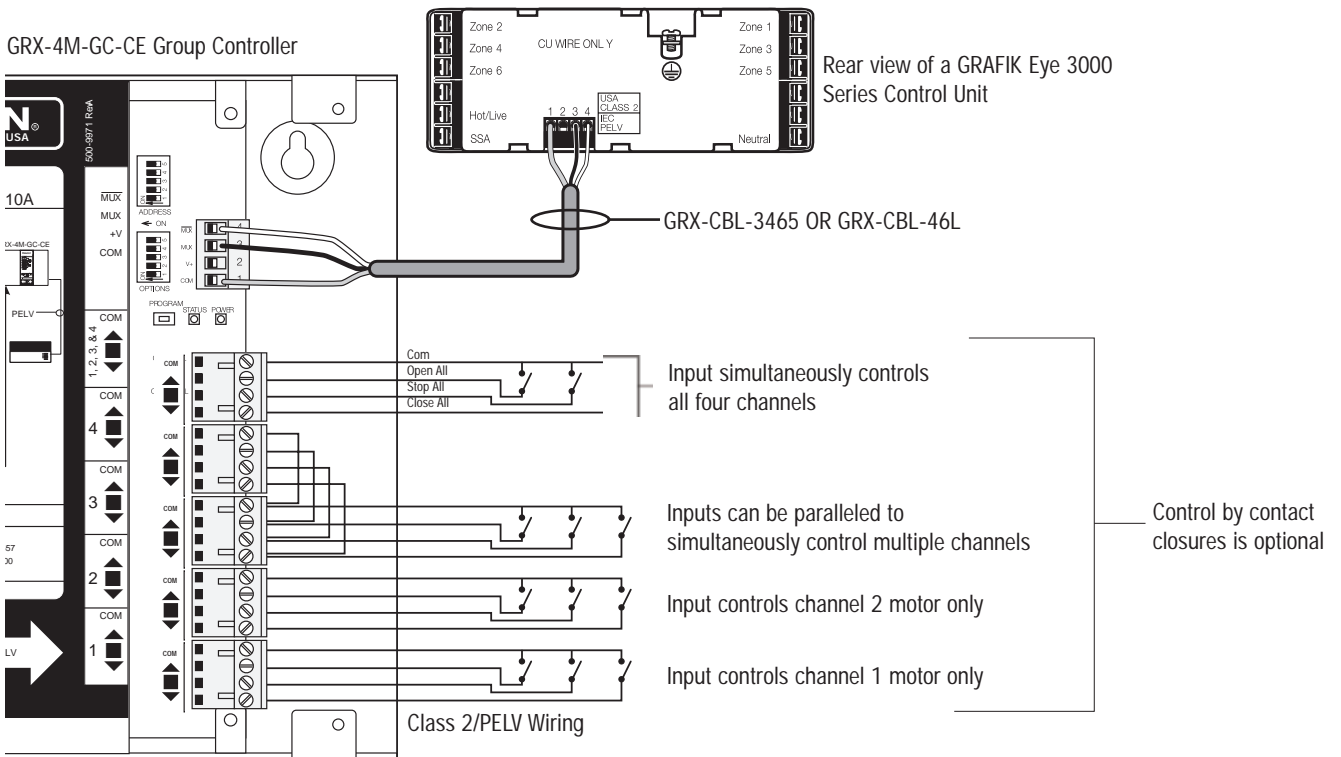
Job Name:	Model Numbers:
Job Number:	

Line Voltage Wiring



Job Name:	Model Numbers:
Job Number:	

## Low-Voltage PELV Control Wiring



Job Name:	Model Numbers:
Job Number:	