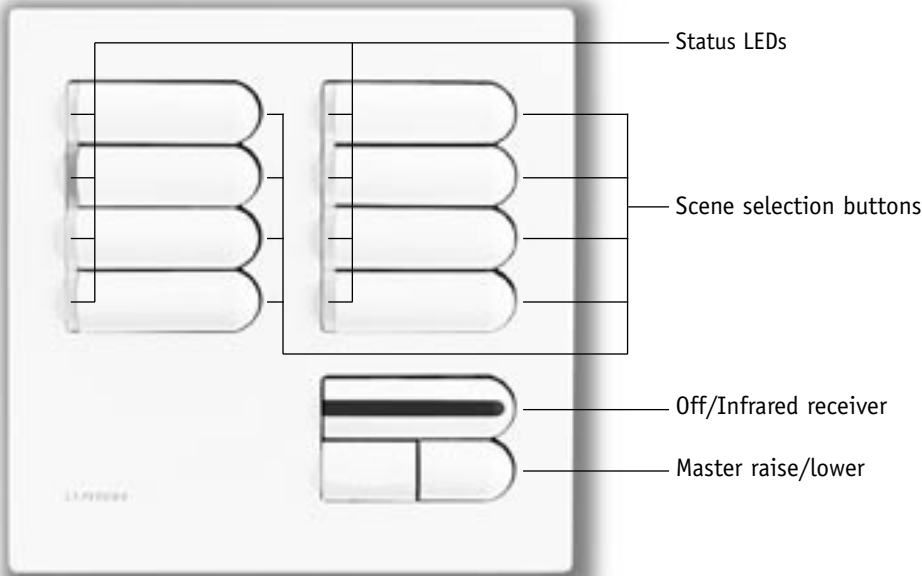


COLOR AND FINISH CODES

EGRX-8S-IR-__-__-__ European-Style, Infrared Receiver/ 8-Scene Selection Control



DESCRIPTION

Lets occupants select and adjust scenes at the Wallstation faceplate or by Wireless Remote Control.

- Scene selection buttons activate scenes 1 to 8, 5 to 12, 9 to 16, or 13 to 16/ 1 to 4 depending on how you set DIP switches 5 and 6.
- Status LEDs show which scene is selected.
- Off button turns lights off.
- Infrared receiver lets a GRX-IT 4-Scene Wireless Remote Control select and adjust scenes 1 to 4, 5 to 8, 9 to 12, or 13 to 16. The GRX-8IT 8-Scene Wireless Remote Control can select and adjust scenes 1 to 8, 5 to 12, 9 to 16, or 13 to 16/1 to 4.
- Master raise/lower button brightens or dims the selected scene.

Works with GRX-3000 and GRX-4000 Control Units. Can be set up to select scenes in just one Control Unit or a group of up to eight Control Units.

Mounts in UK/German wallbox. In the U.S., Lutron supplies a UK Wallbox (P/N 241-683) with the Wallstation.

DESIGN OPTIONS

Available with:

- Engraving to suit specific project needs

FUNCTIONS

DIP SWITCH SETTINGS 5 6	GRX-IT 4-Scene Wireless Remote Control activates...	Scene selection buttons and GRX-8IT 8-Scene Wireless Remote Control activate...
	Scenes 1 to 4	Scenes 1 to 8
	Scenes 5 to 8	Scenes 5 to 12
	Scenes 9 to 12	Scenes 9 to 16
	Scenes 13 to 16	Scenes 13 to 16 / 1 to 4



Do not change DIP Switches 7-10!
Lutron sets these at the factory.

JOB NAME:	MODEL NUMBERS:
JOB NUMBER:	

SPECIFICATIONS

Power

Operating voltage: Low-voltage type Class 2 (PELV), 12VDC to 24VFW.

Key Design Features

- Meets IEC 801-2. Tested to withstand 15kV electrostatic discharge without damage or memory loss.
- Has faceplate that snaps on with no visible means of attachment.

System Communications and Capacity

- Low-voltage type Class 2 (PELV) wiring connects Wallstations to Control Units and other components.
- You can link up to 8 Control Units and up to 16 total Wallstations and/or Control Interfaces for a total of 24 control points.

Terminals

Capacity: Accept up to two 1.0mm² (#18 AWG) typical.

Environment

0-40°C (32-104°F). Relative humidity less than 90% non-condensing.

* 48 hours for 4S, 2B-SL, 4SIR-8S, 8S-IR, others – 2 weeks.

COLOR AND FINISH CODES

Standard

Ships in 48 hours*

- Black **BL**
- White **WH**
- Bright Brass **BB**
- Bright Chrome **BC**
- Satin Brass **SB**
- Satin Chrome **SC**

Matte Finishes

Ships in 3 to 4 weeks

- Ivory **IV**
- Beige **BE**
- Gray **GR**
- Brown **BR**

Metal Finishes

Ships in 4 to 6 weeks

- Bright Nickel **BN**
- Satin Nickel **SN**
- Antique Brass **QB**
- Antique Bronze **QZ**

Anodized Aluminum

Ships in 4 to 6 weeks

- Clear **CLA**
- Black **BLA**
- Brass **BRA**

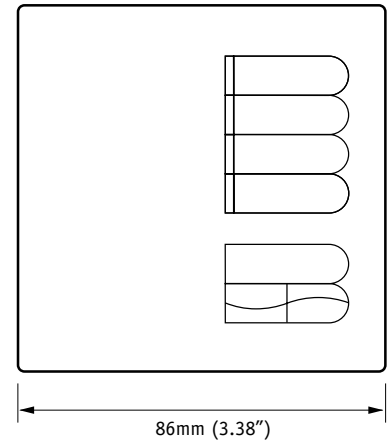
Engraving E

Wallbox Included NA

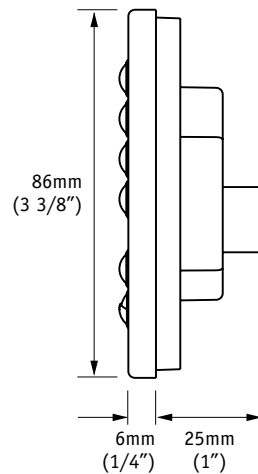
Custom Controls, color matching, and engraving available – Ships in 4 to 6 weeks. Pricing may vary depending on finish.

DIMENSIONS

Front View

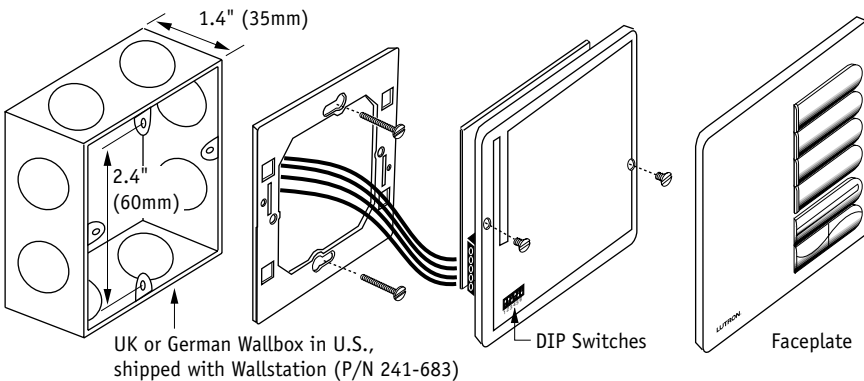


Side View



Back View

MOUNTING



JOB NAME:	MODEL NUMBERS:
JOB NUMBER:	

Wallstation Installation

DIP SWITCHES

- Set DIP switches 1-4 to give the Wallstation the unique system address from 1 to 16.
- Set additional DIP switches (if any) to specify function as shown on the first page of the Wallstation's Specification Submittal.

Address	DIP SWITCH SETTINGS			
	1	2	3	4
1				
2				
3				
4				
5				
6				
7				
8				
9				
10				
11				
12				
13				
14				
15				
16				

Reserved for GRX-PRG, if present on link.

LOW-VOLTAGE CLASS 2 (PELV) WIRING

- Use low-voltage Class 2 (PELV) wiring to daisy-chain Wallstations to Control Units and other components.
- Make connections inside the wallbox. Or in a switchbox or junction box with a maximum wire length of 8 feet (2.5m) from the link to the Wallstation.

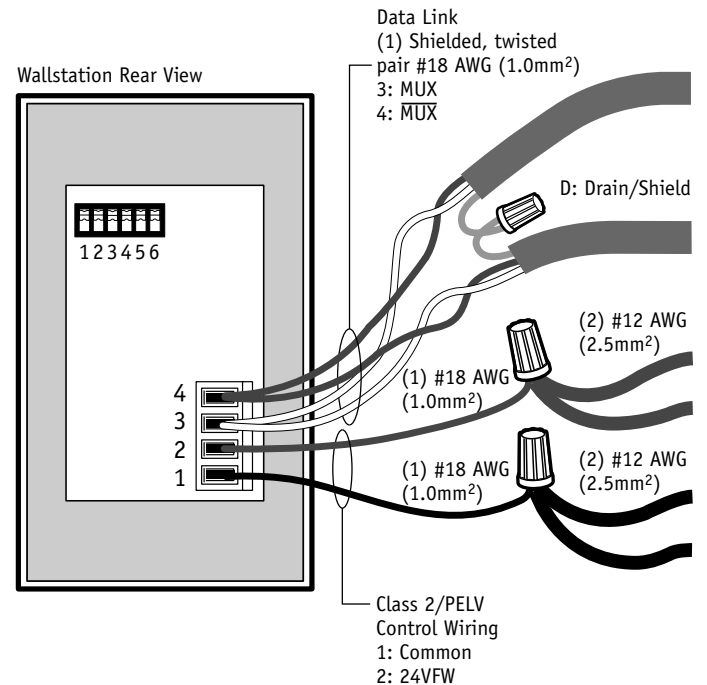
Note: EGRX Eurostyle Wallstations have a D terminal for Drain. You can connect the Drain/Shield at this terminal.

When used with GRX-3000 Control Units

- Two #18 AWG (1.0mm²) conductors for common (terminal 1) and 12VDC (terminal 2). Make sure you wire the the terminal 2 connection correctly. Refer to GRX-3000 Specification Submittal.
- One shielded, twisted pair #18 AWG (1.0mm²) for data link (terminals 3 and 4).

When used with GRX-4000 Control Units

- Two #12 AWG (2.5mm²) conductors for common (terminal 1) and 24VFW (terminal 2). These won't fit in terminals. Connect as shown.
- One shielded, twisted pair #18 AWG (1.0mm²) for data link (terminals 3 and 4).
- Connect Drain/Shield as shown.
 - Do not connect to Ground (Earth) or Wallstation.
 - Connect the bare drain wires and cut off the outside shield.



JOB NAME:	MODEL NUMBERS:
JOB NUMBER:	